



ALPEN

CLEAR PERFORMANCE

Sliding Patio Door Assembly and Installation Guide



Index

Double Patio Door Assembly and Installation 3
Three and Four Wide Panel Installation 14
Repainting Procedure 16
Jamb Extension Information 18
Interior Casing Attachment 17
Mulled Units 19
Handing Guide 20
Sizing Information 22

Door System Components and Hardware

The following packages are needed to complete the installation of your Sliding Patio Door unit. Check **all** components for correct Size, color, (your threshold will always be Tan) quantity, and for any damages. See Page one if you have found anything incorrect or damaged for instructions.

*****DO NOT PROCEED WITH ANY ASSEMBLY IF DAMAGES OR MISSING COMPONENTS *****

Screen

Frame kit

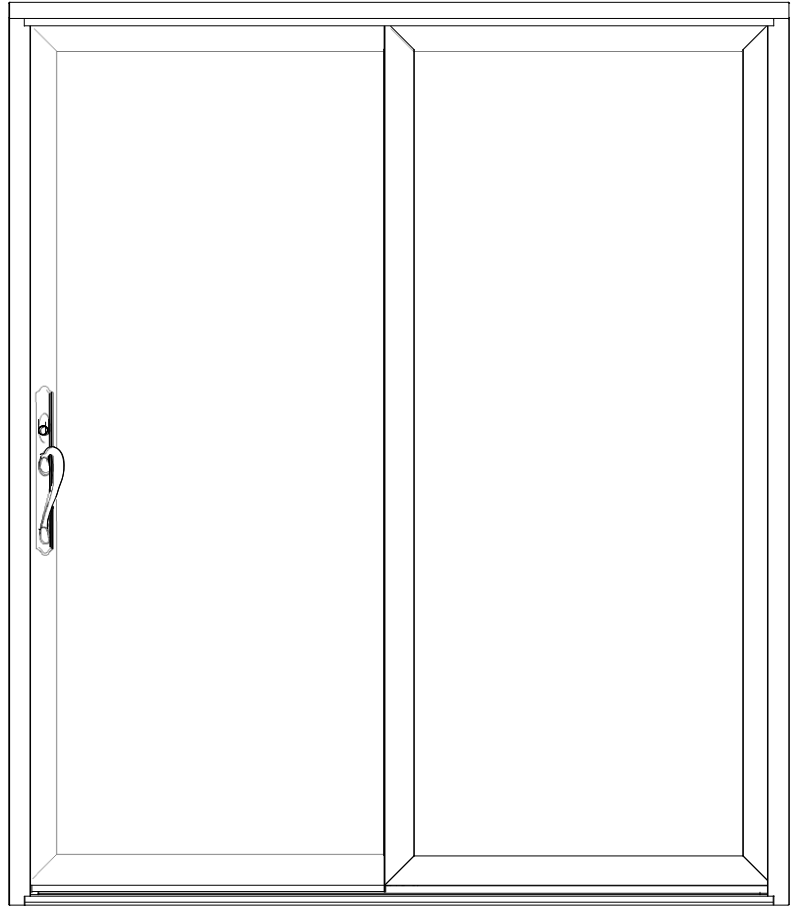
- 1 - Head Jamb
- 2 - Side Jambs
- 1 - Sill
- 1 - Active Weather-strip Carrier
- 1 - Inactive Weather-strip Carrier
- 2 - Active Panel Hole Plugs
- 1 - Panel Bumper
- 12 - #12 x 3" Flat Head Screws
- 12 - #8 x 3" Pan Head Screws
- 1 - This Instruction Booklet
- 2 - Panel Anchor Blocks
- 2 - #10 x 1 1/2" Phillips Anchor Screws
- 2 - #10 x 2 1/2" Phillips Anchor Screws
- 1 - Sill Cap Base
- 1 - Sill Cap Top
- 1 - Footbolt Kit (optional)
- 1 - Touch-Up Paint

Optional: Footbolt kit (Call for quote – must be ordered with door)

- 1 - Foot Bolt
- 1 - Foot Bolt Keeper
- 1 - #8 x 1 1/2" S.S. Pan Head Screw
- 3 - #8 x 9/16" S.S. Pan Head Screws
- 2 - #8 x 1" S.S. Pan Head Screws

Handle set kit

- 2 - Handles
- 1 - Mortise Lock
- 1 - Strike Plate
- 1 - Escutcheon with lock
- 1 - Escutcheon
- 2 - Phillips Screws with Colored Heads
- 4 - Hex Drive Screws
- 2 - Keys
- 1 - Gasket
- 1 - Hex Wrench
- 1 - Through Pin
- 2 - #8 x 1" Flat Head Screws
- 4 - #8 x 1" Pan Head Sheet metal Screws



Tools and materials needed for assembly and installation:

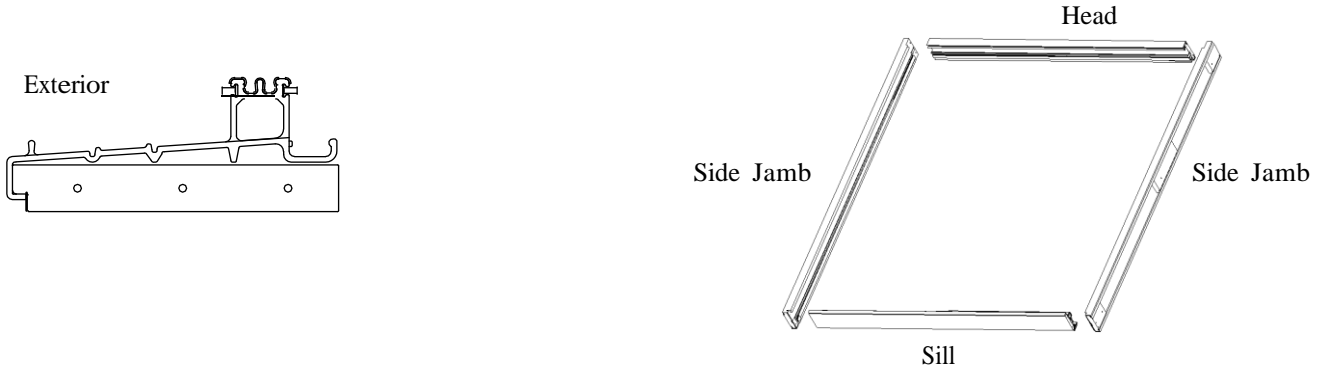
- Silicone Sealant and Caulk Gun
- 6' Level
- Measuring Tape
- Electric Drill
- #2 Phillips Drive Bit
- Staple Gun or Brad Nails
- 1/8" Drill Bit
- Flat-blade Screwdriver
- Shims
- Head Flashing
- Sill Pan

Frame Assembly

Lay frame components onto work area.

Lay parts on floor and position sill, head and side jambs with interior side up.

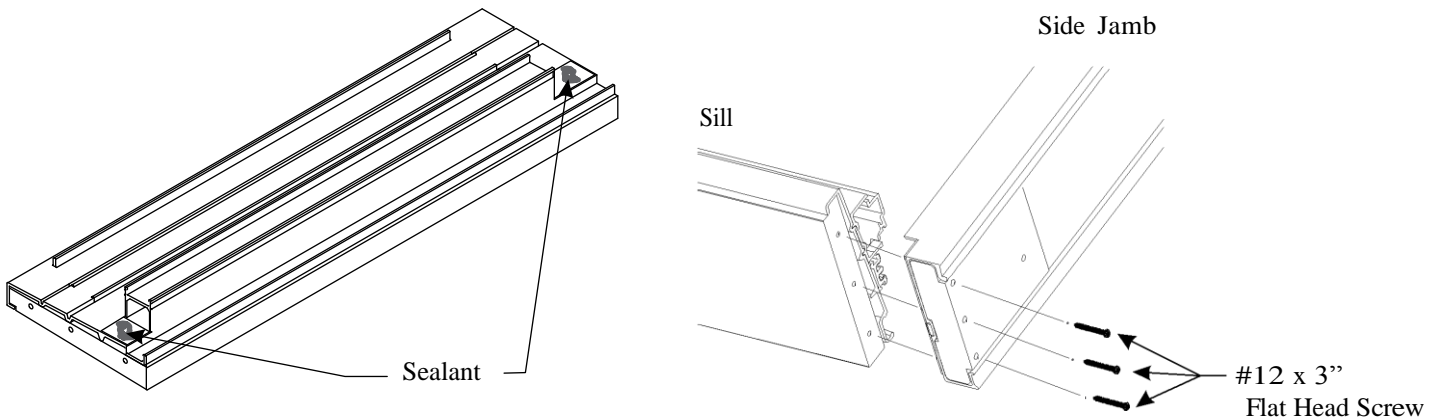
Special note: A large work area is needed to assemble the frame kit. Cover area with cardboard from one or more door panel cartons to protect frame parts and floor.



Attach sill to jambs

1. Apply sealant to bottom ends of sill as shown.
2. Fasten side jambs to sill through pre-drilled holes using (3) #12 x 3" flat head screws. (Starting with center screw is recommended.) Repeat for opposite side.

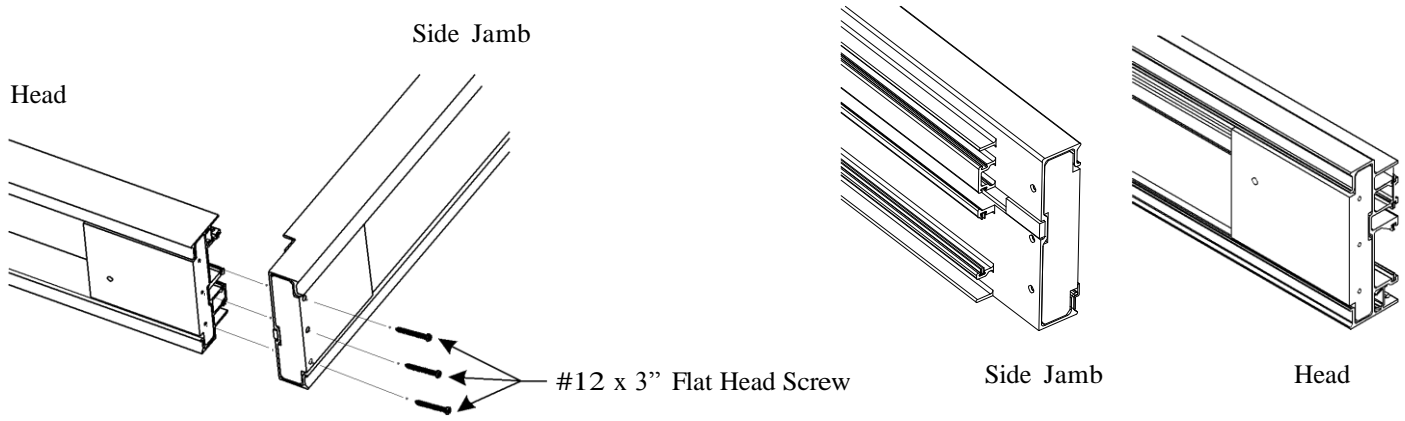
Special note: Be sure that foam pads are in place before assembling frame.



Frame Assembly

Attach head to jambs

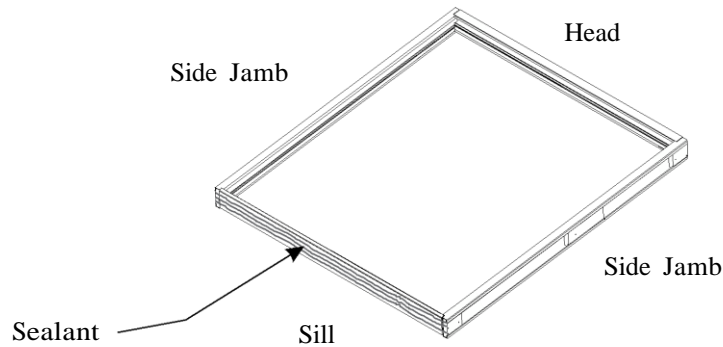
Fasten side jambs to head through pre-drilled holes using (3) #12 x 3 flat head screws. (Starting with center screw is recommended.) Repeat for opposite side.



Apply silicone sealant to bottom of sill

Run beads of silicone sealant across entire length of sill bottom to provide a weather-tight seal.

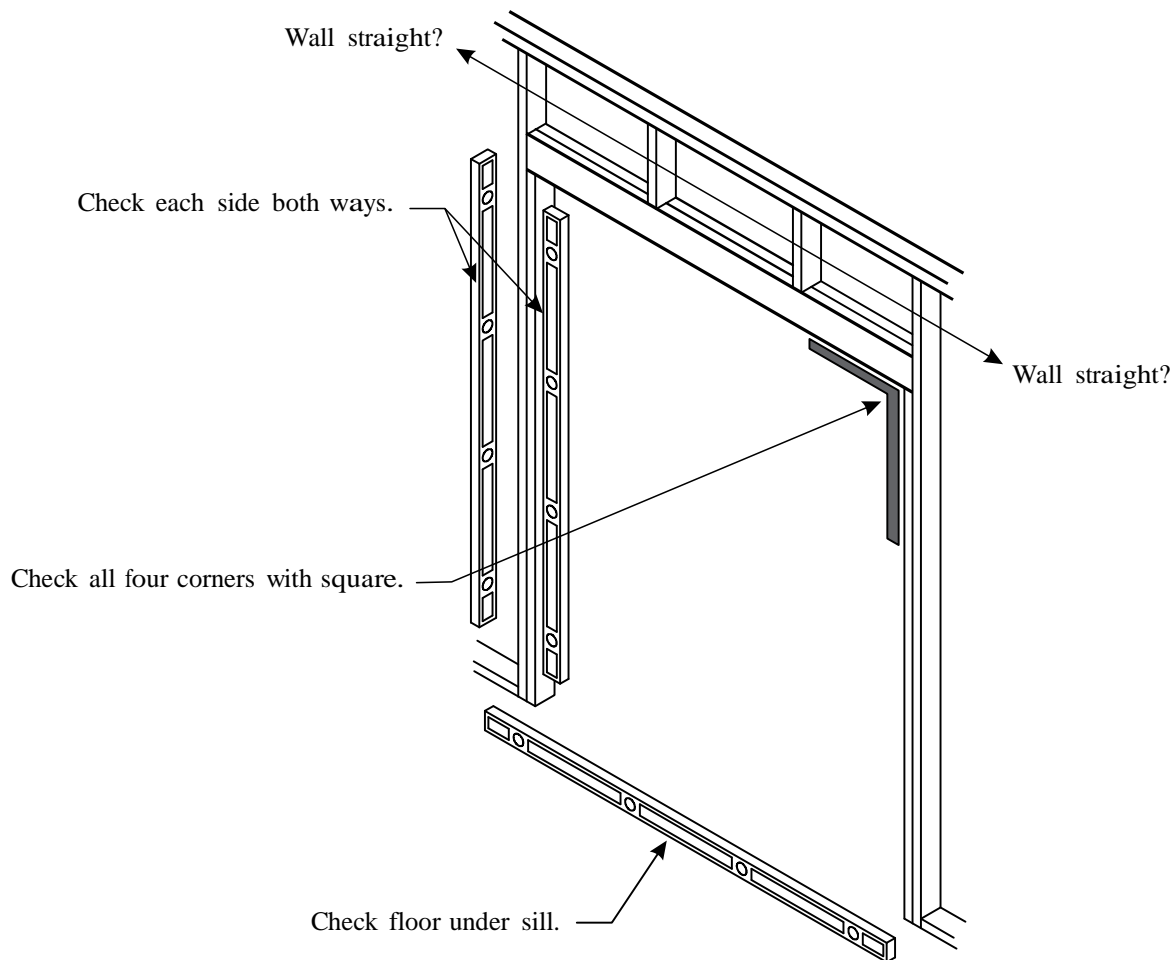
Special note: A continuous bead of sealant is required.



Frame Installation

Check rough opening as follows and correct if necessary:

- Sub-floor to be flat, level and clean. Sill must be supported throughout its entire length.
- All four corners to be square. Check with a framing square. Check cross dimensions.
- Framing and walls to be plumb. Use a 6-foot level to check both sides of opening.
- All wall surfaces to be straight and sides parallel.
- Opening to be correct size. Allow 3/8" on sides and 1/2" at head.



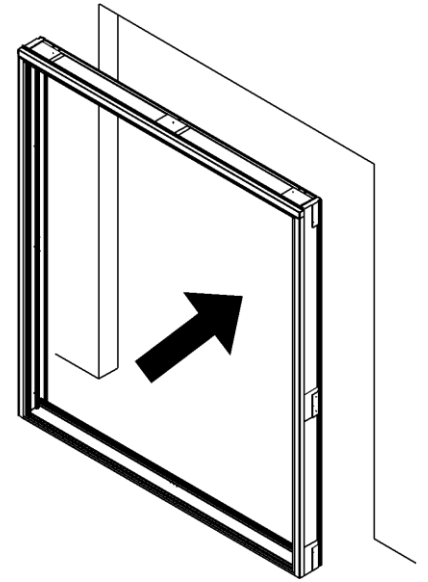
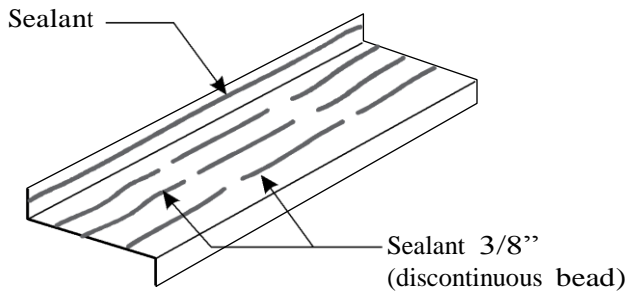
Frame Installation

Set unit into rough opening

Seal all joints between the sill pan flashing and the end-caps to form a watertight pan. Apply a bead of sealant to the backside of sill pan and two 3/8" beads of sealant to the bottom of the sill pan and continue 6" up the jamb. Install drip cap to the head and flash as necessary.

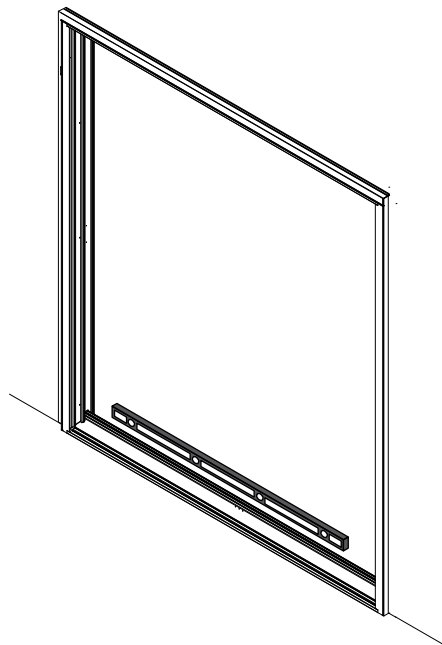
Special note: the 3/8" beads of sealant applied to the bottom of the sill pan are discontinuous to allow drainage

From outside of house, set unit into rough opening. Apply pressure on sill to set sealant.



Level sill

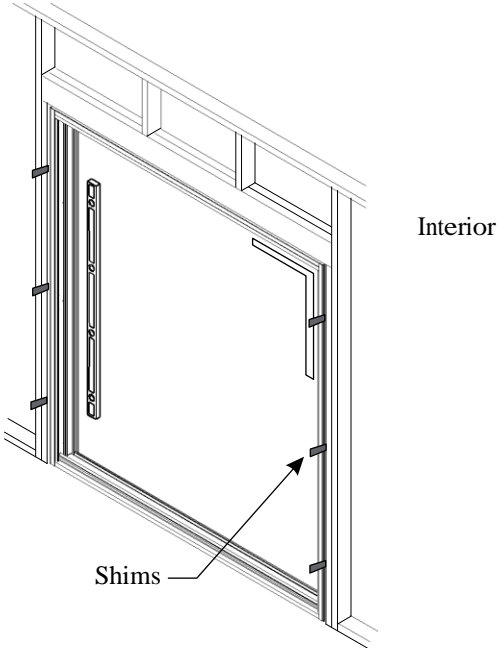
Sill must be flat and level. Check and make any necessary adjustments. If necessary, add temporary blocking under projecting exterior edge of sill to serve as support during construction.



Frame Installation

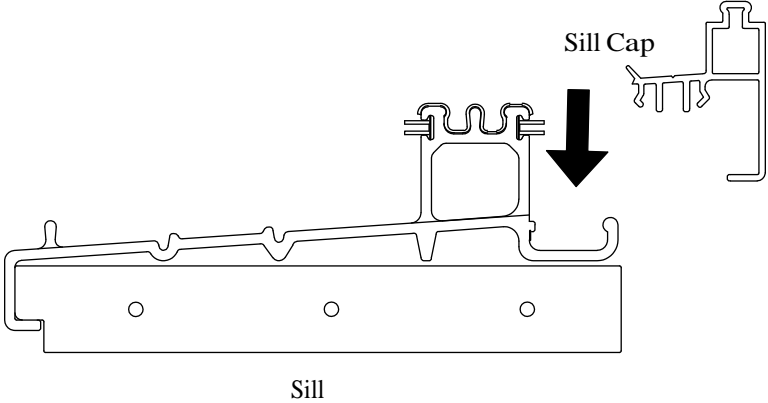
Plumb side jambs

Jambs must be plumb and straight. Shim as necessary to remove any bow. (Shim frame head as necessary to remove any bow.) Secure jamb shims with screws taking care not to pull the frame out of square.



Install cap base

Install the vinyl sill cap base by starting at each jamb and working towards the center of the door. Use a rubber mallet to snap in place.

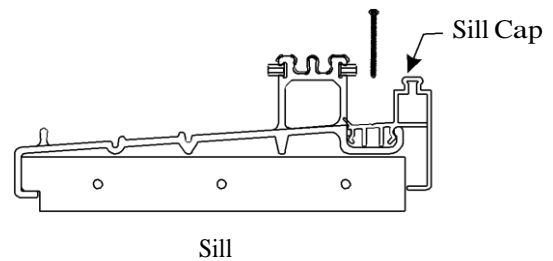
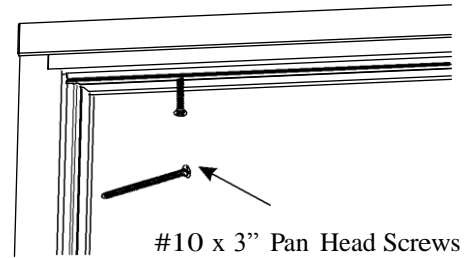
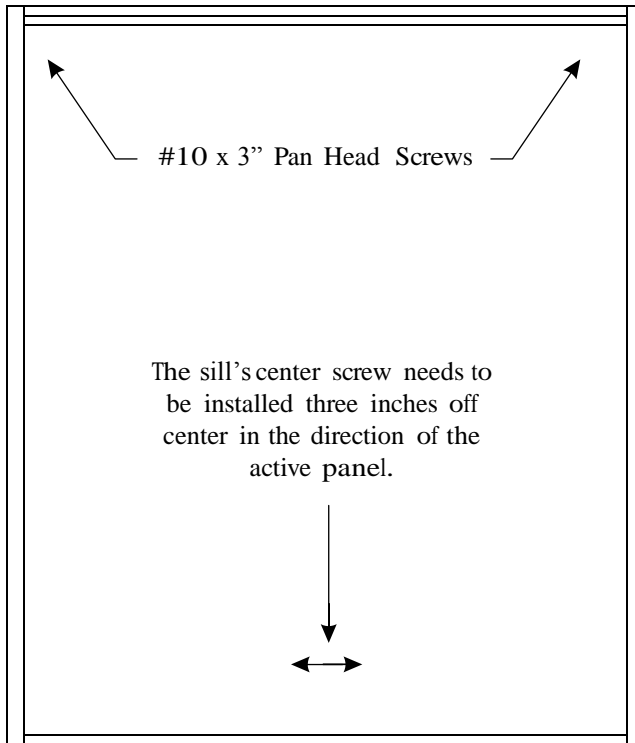


Frame Installation

Secure frame in rough opening

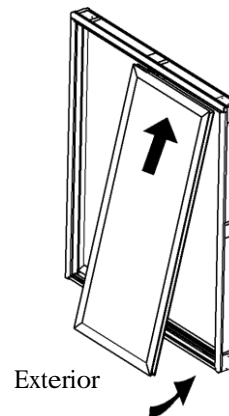
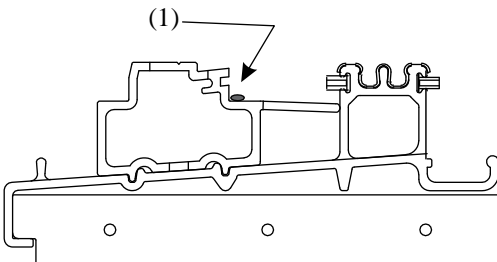
Using (12) #10 x 3" pan head screws, fasten frame to rough opening through pre-drilled holes in frame. In the sill there are no pre-drilled holes.

The screws used on the sill are installed through the sill cap into the sill substrate. There is a V-groove in the sill cap to assist in aligning the screw.



Install stationary panel

1. Apply a 1/4" bead of caulk (recommend clear sealant) to bottom of sill inactive door riser.
2. From exterior side of unit, install stationary panel by inserting top of panel into exterior channel. Rotate bottom panel inward until sill inactive door riser leg sets into groove.
3. Slide slab tightly against side jamb
4. Wipe off excess caulking.

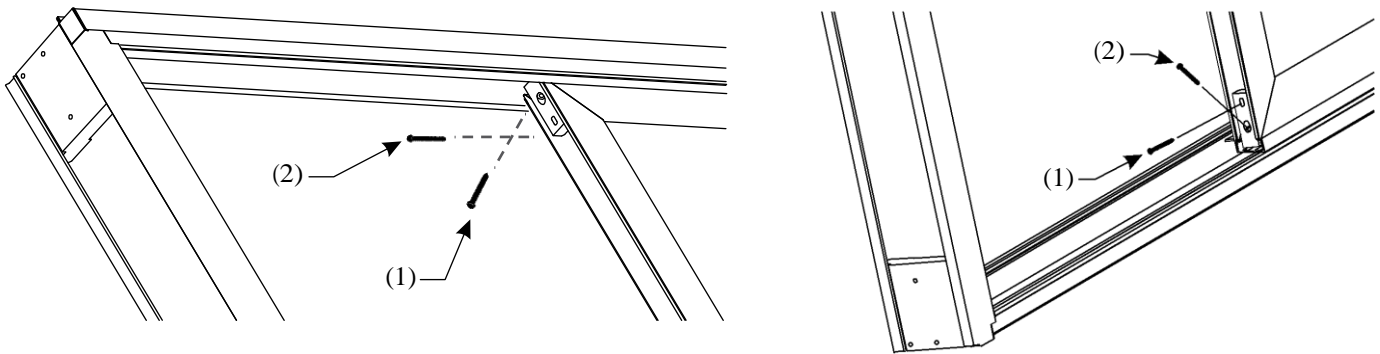


Frame Installation

Install anchor to the inactive panel & head

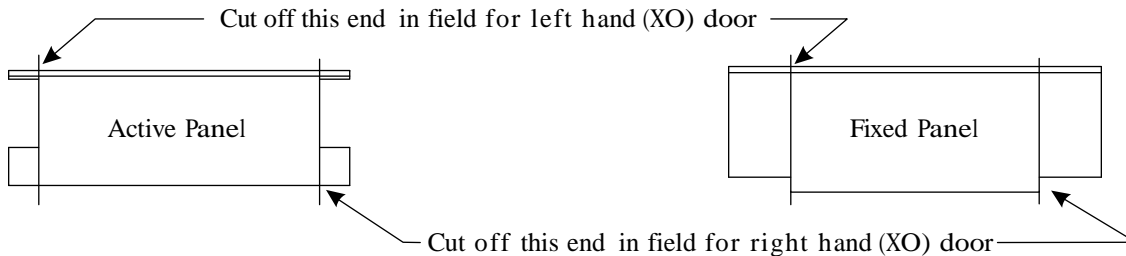
First: Remove the top screw in the inactive panel and discard. Then insert the panel anchor as shown. Using the angled hole of the anchor as a drill guide, drill a 1/8" pilot hole in the frame head and blocking substrate. Install the #10 x 2 1/2" Phillips pan head screw (1) through the panel anchor to the frame. Install the #10 x 1 1/2" Phillips pan head screws (2) through the panel anchor into the bottom screw hole of the inactive panel

Second: Remove the bottom screw in the inactive panel and discard the screw. Then insert the panel anchor as shown. Using the angled hole of the anchor as a drill guide, drill a 1/8" pilot hole in the frame sill and blocking substrate. Install the #10 x 2 1/2" Phillips pan head screw (1) through the panel anchor to the frame. Install the #10 x 1 1/2" Phillips pan head screws (2) through the panel anchor into the bottom screw hole of the inactive panel



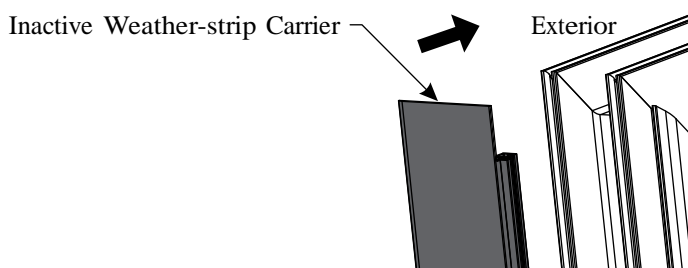
Cutting weather-strip carriers

1. Locate the two (2) weather-strip carriers in the frame box, one for the active panel and one for the fixed panel.
2. The carriers have been sent along for cutting in the field based on the handing of the door.
3. Follow the instructions below for the door handing you are installing.



Attach inactive weather-strip carrier

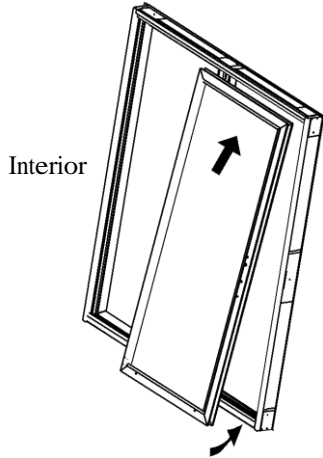
Install weather-strip carrier, use a block of wood or rubber mallet to avoid damage to the parts. Line up the fixed slab weather-strip carrier flush to the bottom of the head jamb. Insert barbs into stile grooves tap into place, then do the same at the sill. Work your way towards the center of the panel. Make sure that both carriers fit properly into the slots on the edge of each slab.



Active panel installation

Install active panel

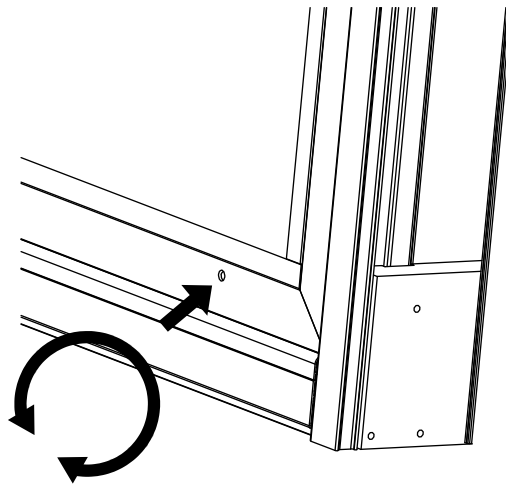
From interior side of unit, install active panel up into interior channel in head jamb. Push upwards as far as possible and rotate into place until rollers engage onto sill roller track.



Special note: Be sure to have the active panel near the closed position before installing to ensure that the interlocks will meet when the door is closed. Be sure that the panel is square to the frame.

Adjust rollers

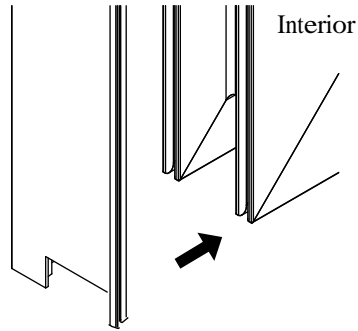
Using a #2 Phillips screw driver, turn adjustment screws in rollers left or right until panel is level and glides smoothly across the track. Close door to within 1/4" of lock jamb. Use visual margin to assure panel is adjusted straight with frame.



Active panel installation

Attach active weather-strip carrier

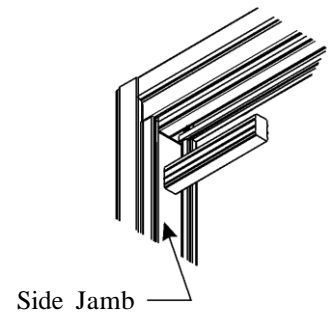
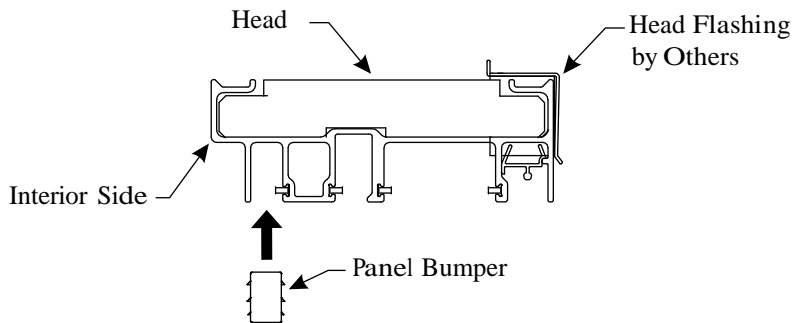
Align active interlock with bottom edge of active panel. Starting at bottom, insert barbs into stile grooves. Working your way up, tap in place with a hammer and wood block or rubber mallet. Carefully inspect interior edge of interlock. Tap as necessary to obtain a tight fit along door edge.



Insert panel bumper

Insert panel bumper into innermost channel in head jamb, butting end of bumper against stationary side jamb. Seat panel bumper flush with head jamb.

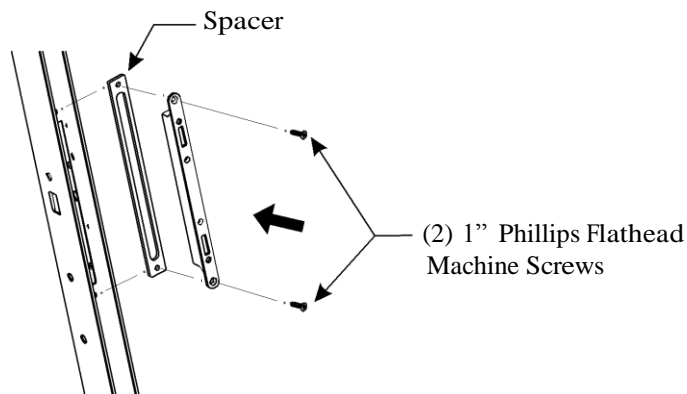
Special note: If needed, the bumper can be cut down from its original length of six inches to four and half inches. This will allow for a wider entrance.



Handle Installation

Install mortise lock

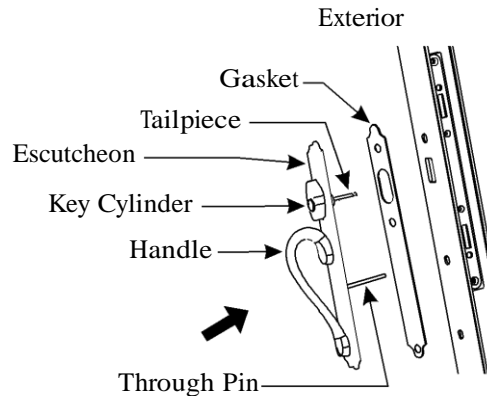
Install mortise lock and spacer through pre fabricated holes in active door edge.



Handle Installation

Align exterior handle

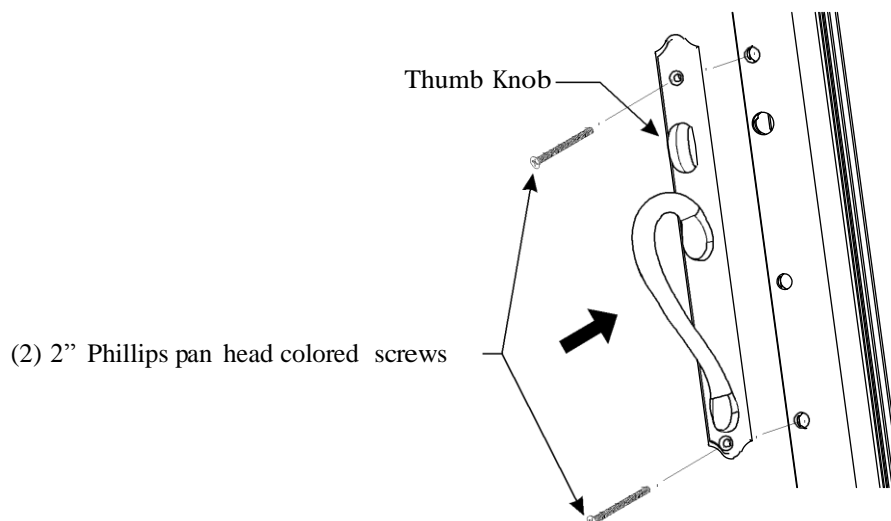
1. Assemble handle to escutcheon plate according to the hand of the door, with 2 hex screws. The curve of the handle should slope toward the center of the door. Tighten securely to prevent loosening during operation.
2. The black foam gasket should be installed under the exterior escutcheon plate. This piece will prevent water infiltration.
3. Insert through pin into escutcheon plate.
4. The tailpiece will require positioning prior to assembly on the door. Rotate the tailpiece until it reaches a horizontal position.
5. Place exterior handle on door aligning holes in panel.



Align interior handle

1. Assemble handle to escutcheon plate according to the hand of the door, with 2 hex screws. The curve of the handle should slope toward the center of the door. Tighten securely to prevent loosening during operation.
2. If desired, the thumb knob can be changed to different positions when in the locked and unlocked positions. To do this, remove the screw in the stem of the thumb turn. Next, rotate the adaptor so the desired threaded hole in the adaptor lines up with a hole in the thumb turn stem.
3. Turn the thumb knob to align it with the tailpiece Phillips pan head. Place interior handle over latch aligning holes in panel.
4. Fasten handles together with (2) colored screws, do not tighten the mounting screws completely.
5. Completely close the active door. Rotate the key to the locked and unlocked positions. In each case the key should be removable. This indicates that the key is installed properly. If it does not operate properly rotate the tailpiece in the opposite direction and reinstall. Tighten the mounting screws to complete the installation.

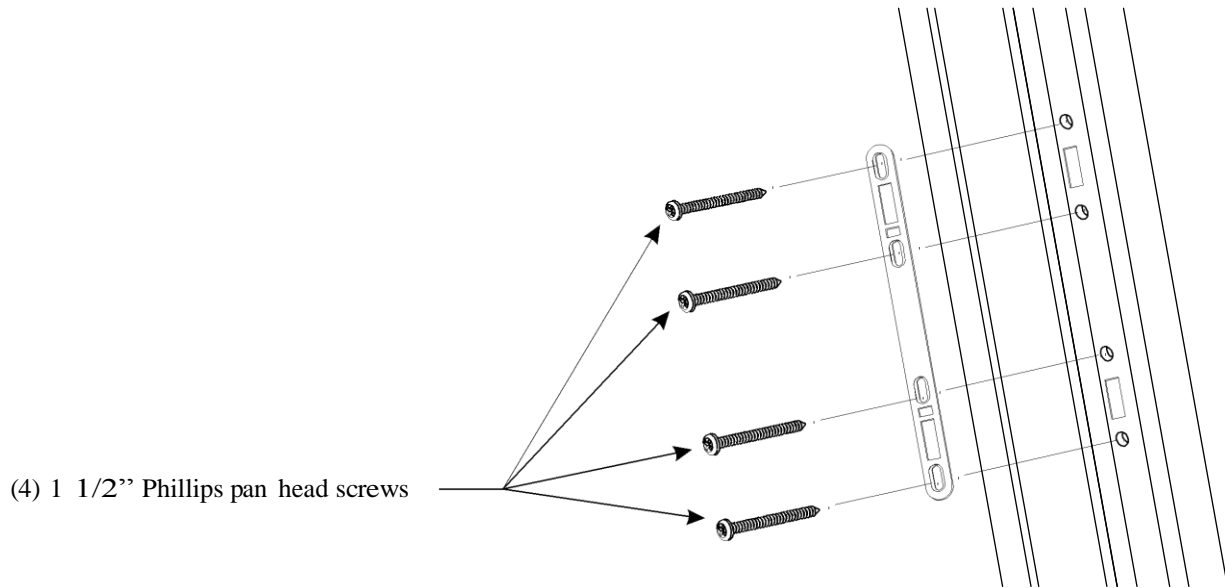
Special note: use caution not to over tighten screws



Handle Installation

Install keeper

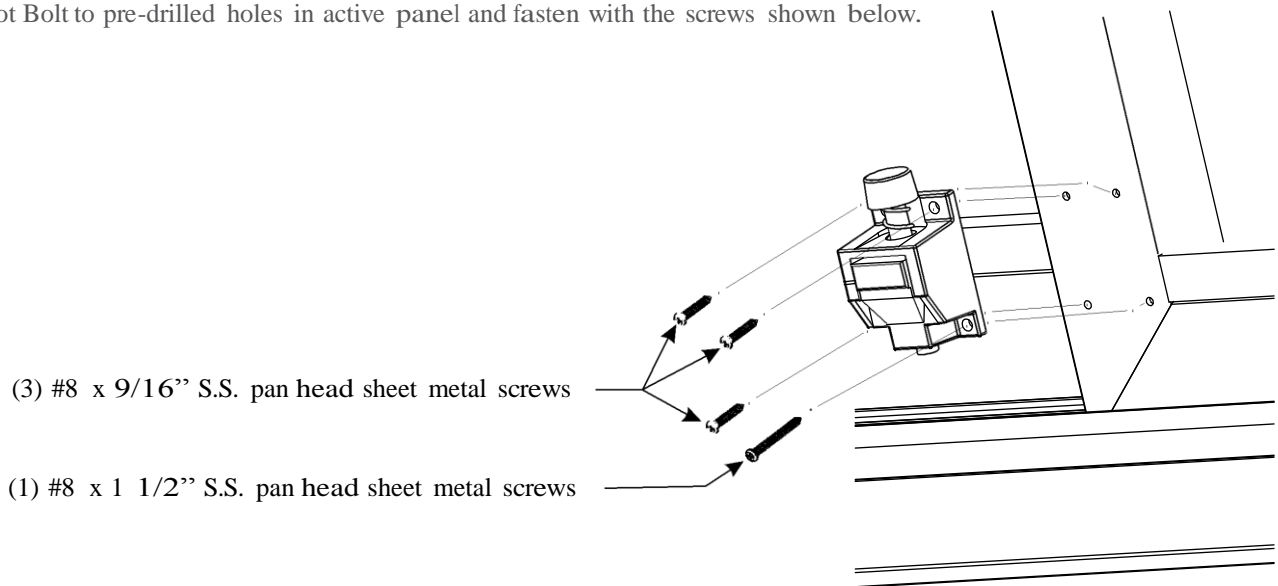
Align keeper to pre-drilled holes in active jamb and fasten with (4) 1 1/2" Phillips pan head screws. Close door and adjust keeper for proper latch engagement. Latch throw can be adjusted by the slotted adjustment screw on the face of mortise lock.



Install foot bolt (optional)

Call for quote - Must be ordered with door! Not available separately.

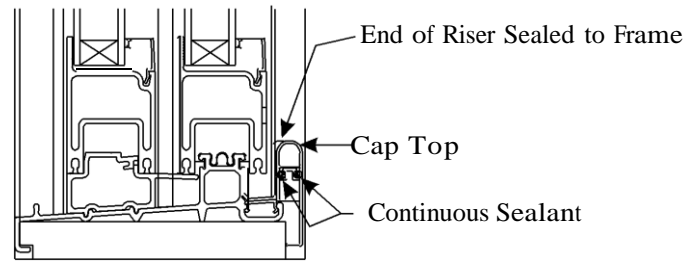
Align Foot Bolt to pre-drilled holes in active panel and fasten with the screws shown below.



Handle Installation

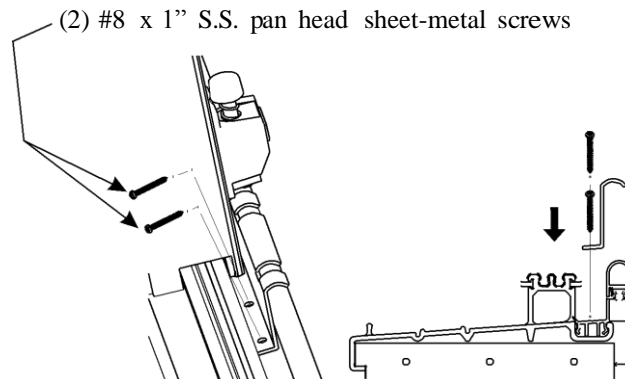
Install sill cap top

Place a continuous bead of clear sealant at the locations shown across the base profile. Install the vinyl sill cap top by starting at each jamb and working towards the center of the door. Use a rubber mallet to snap into place. Seal the ends of both profiles to the side frame as shown. Clean up any excess sealant.



Install footbolt keeper (optional)

Close the active door completely, align keeper with foot bolt. Use a 1/8" drill bit to drill two holes through the holes in the keeper into the sill cap and through the fiberglass of the sill. Fill the holes with a small amount of clear sealant. Screw the two #8 x 1" S.S. pan head sheet-metal screws into the holes. Clean up any excess sealant.



Three & four panel installation

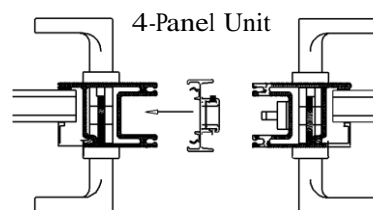
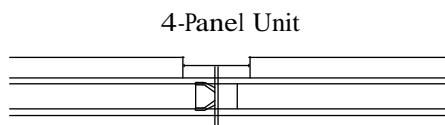
To install a three or four panel unit follow all the steps to assemble a double unit. Install all fixed panels before installing each active panel.

Three panel unit

The astragal will be installed between the two inactive panels. Install the astragal so the bottom is even with the bottom of the panel. Use a rubber mallet or wood block to tap the astragal onto the panel rail, making sure tips are properly aligned with slots. Work from top to bottom towards the center making sure the astragal stays centered.

Four panel unit

The astragal will be installed to the left side active panel (looking from the outside). The bottom of the astragal is notched from the factory to go over the sill track. Install the astragal so the bottom is even with the bottom of the panel. The head end should be just below the head track to allow for smooth operation. Use a rubber mallet or wood block to tap the astragal onto the panel rail, making sure tips are properly aligned with slots. Work from top and bottom towards the center making sure the astragal stays centered. Install lock keeper on the astragal, refer to hardware instructions for keeper attachment. Install screen astragal in same manner, make sure screen operates properly.



Final Assembly

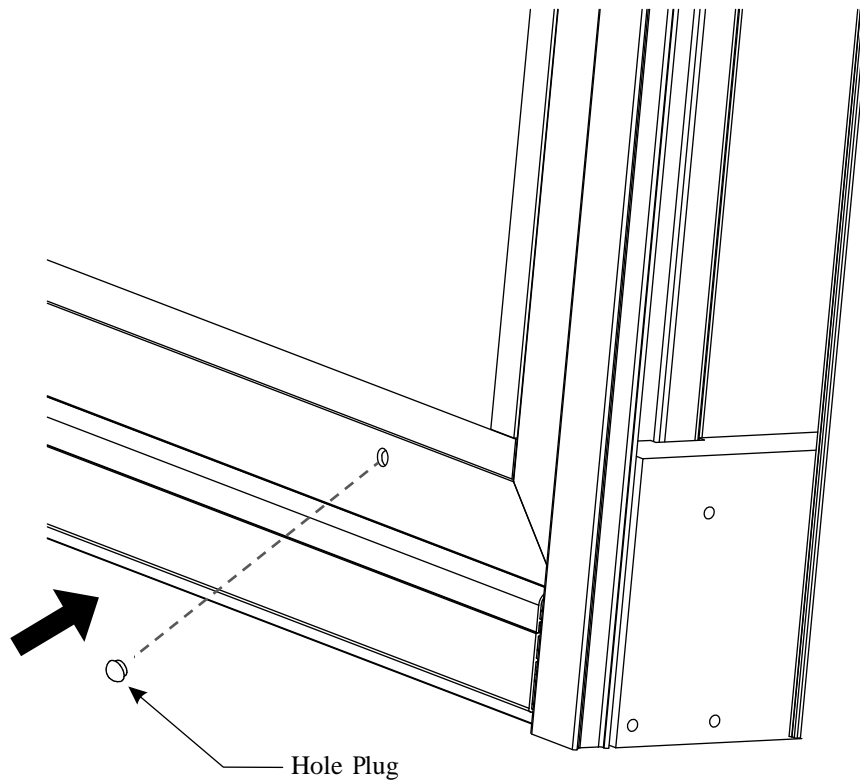
Sliding screen door

Refer to the instructions on the screen hardware bag attached to the screen handle. There is also an instruction label attached to the screen with partial instructions.

Special note: Use caution when removing the screen hardware bag as to not obscure the text.

Insert plugs

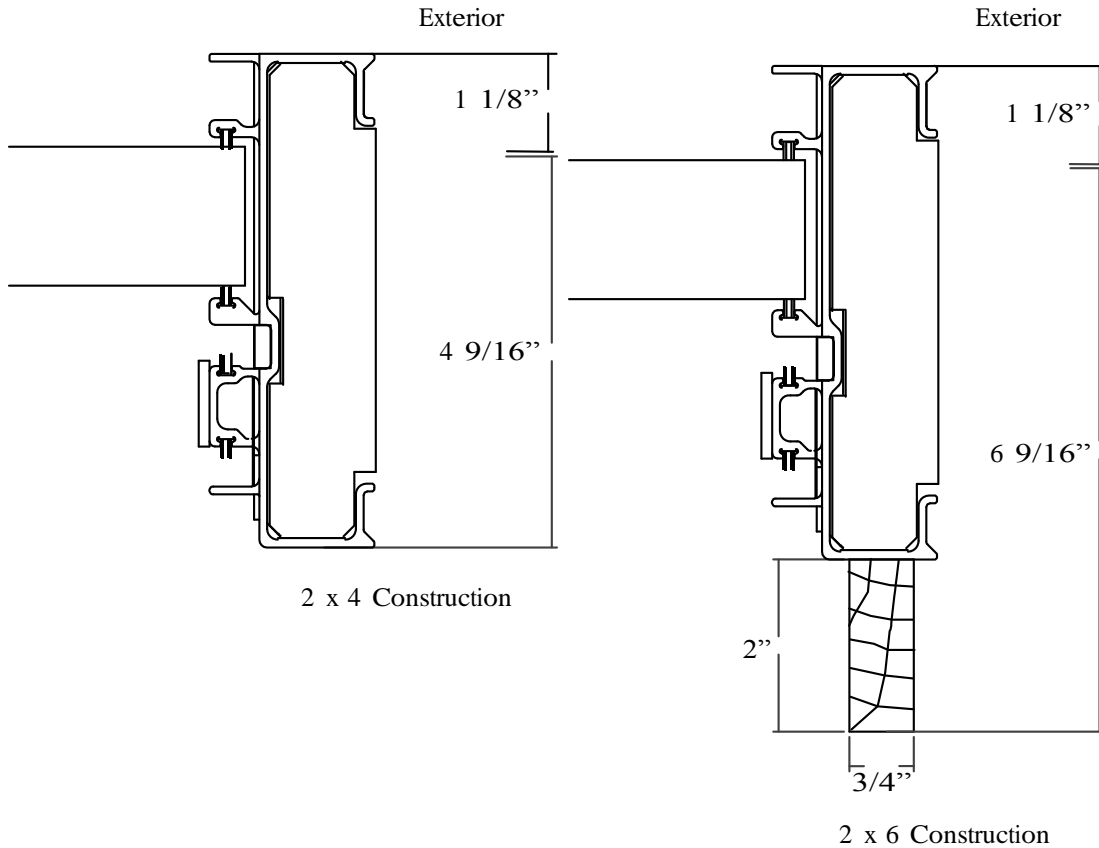
Two plugs are supplied. Insert the plugs into roller adjustment holes.



Additional Information

Jamb extension information

The following images are intended to help clarify how a patio door is installed in different frame openings. The jamb extensions are made of standard wood trim materials, readily available from lumber yards and building material retail stores. Attach the jamb extensions through the side into the wall.



Repainting procedure

1. Sand the surface to be recoated with 180 grit sandpaper to abrade and make porous.
2. Remove all sanding dust from the surface. This can be accomplished by using a damp cloth.
3. Optional: Wipe the surface with a solvent paint de-glosser applied with a clean cloth followed by a final wipe with an additional clean cloth to ensure the surface is free of any contaminants.
4. Apply Sherwin Williams DTM™ Bonding Primer part # B66A50 to the surface and let the coating dry, following the directions provided on the label located on the back of the can.
5. Topcoat the Sherwin Williams DTM™ Bonding Primer with a high quality acrylic latex coating such as the Sherwin Williams formulations designated below.

For store locations of the above mentioned paints call 1-800-4SHERWIN

Corresponding Sherwin Williams codes:

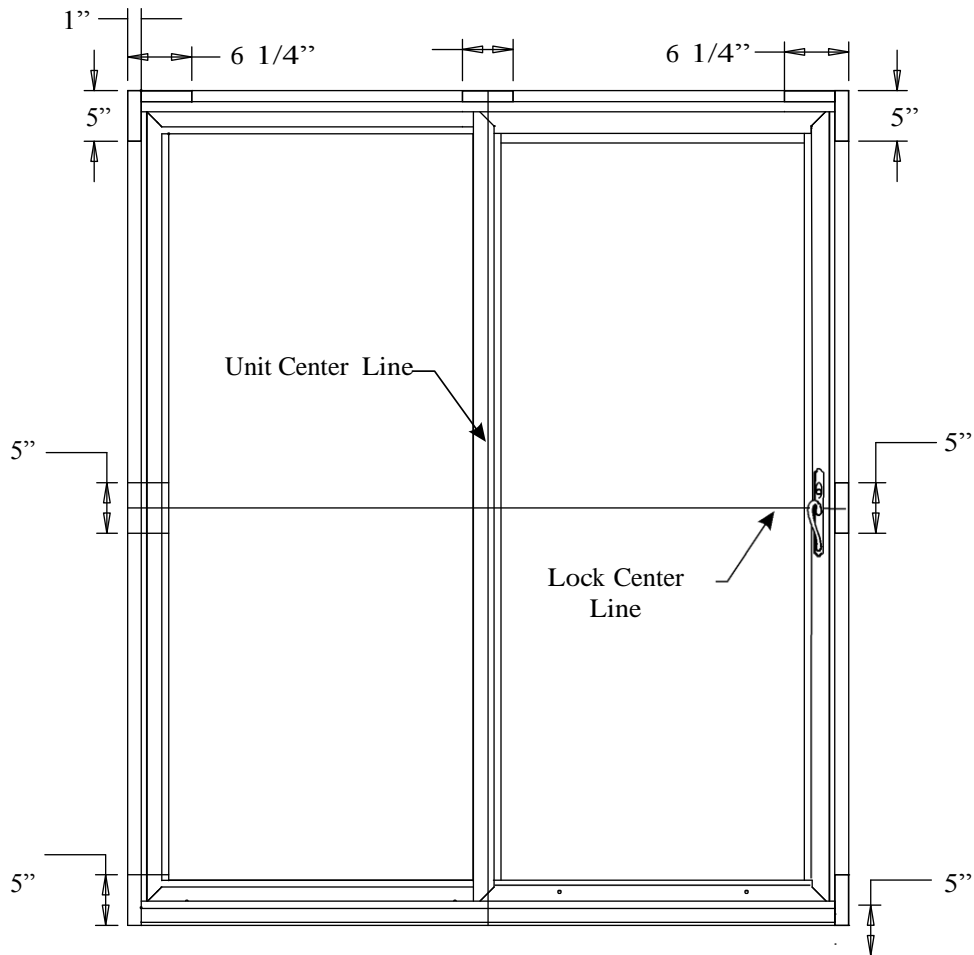
| Color | Paint Code |
|-----------|------------------|
| Almond | F63RXH19744-4320 |
| Bronze | F63RXN11224-4320 |
| Sandstone | F63RXH19745-4320 |
| Slate | F63RXA19743-4320 |
| White | F63RXW11056-4320 |

Final Assembly

Interior casing attachment

Interior casing may be attached to the frame in either of the following ways. An air nailer can be used to fasten the interior casing to the frame using 0.050" x 1-1/2" wire brad nails through the casing and fiberglass frame. For maximum holding power, ensure that nails are installed through anchor blocks located within frame profiles. Locations are shown below for standard 2-panel units.

For manual application, we suggest using 4d-1-1/2" finish nails. They can be used to secure interior casing to the frame. Pre-drilled pilot holes (1/16" dia.) are recommended to avoid splitting casing or frame. Ensure that nails are installed through anchor blocks for maximum holding power.



Additional Information

Triple unit information

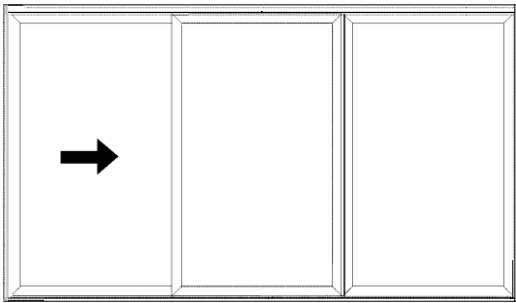
The intention of this section is to clarify the differences between a triple mulled and triple continuous Sliding Patio Door System. Handing Configurations for a Mulled Triple:

(Fixed, Left Hand Active, Fixed) OXO Left Hand
(Fixed, Right Hand Active, Fixed) OXO Right Hand

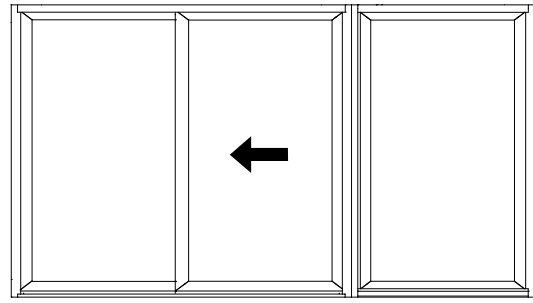
Handing Configurations for a Continuous Triple:

(Left Hand Active, Fixed, Fixed) XOO
(Fixed, Fixed, Right Hand Active) OOX

Please note that the overall width of a mulled unit is different than that of a continuous unit. Another significant difference between a mulled triple and a continuous triple is the packaging. A triple continuous unit will be shipped in two Uni-boxes and a long frame box. In comparison, a mulled unit will ship in just two unit boxes.



Triple continuous patio door XOO shown

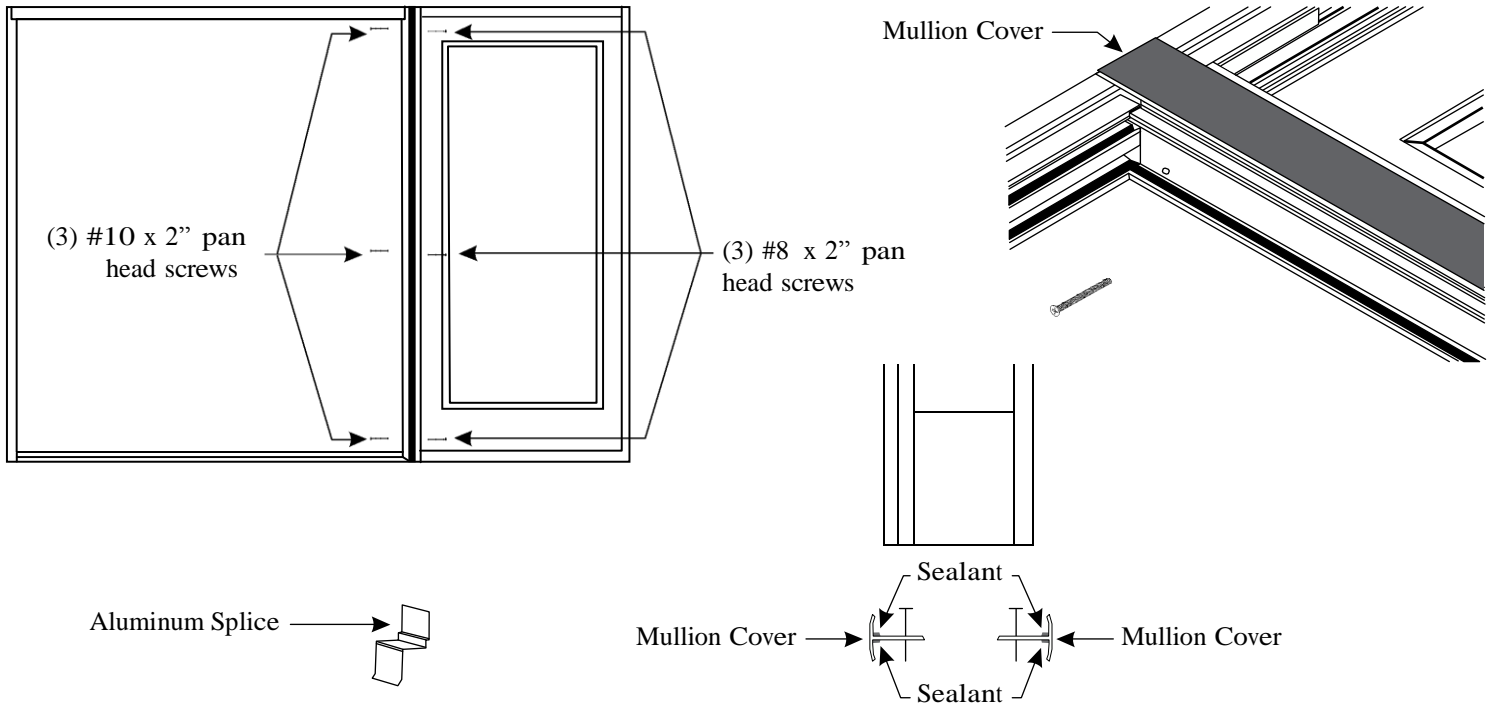


Triple mulled patio door XOX shown

Mulled Units

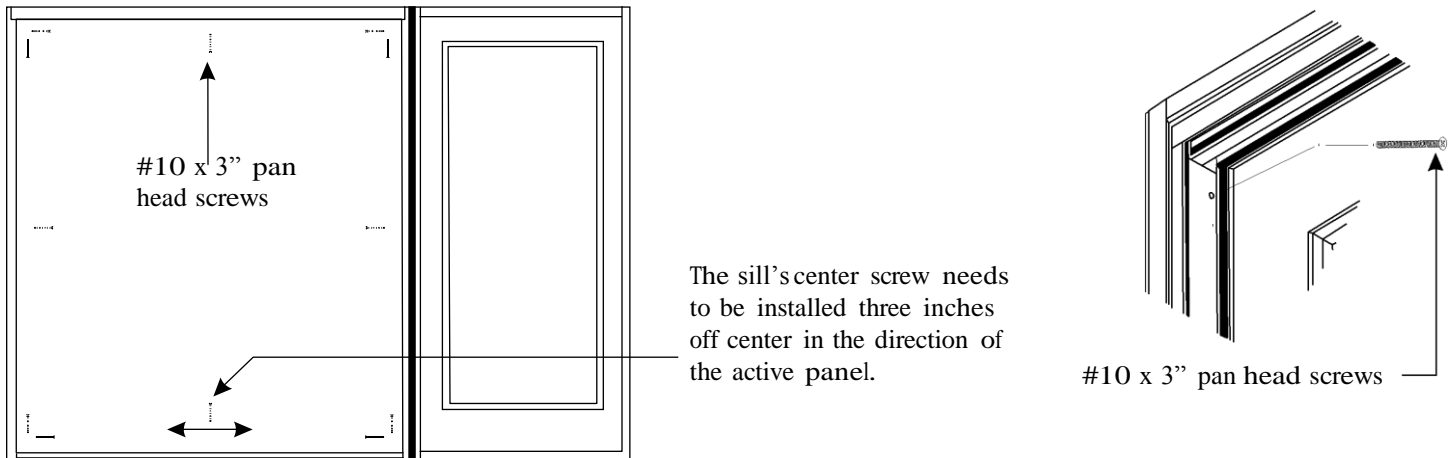
Attach M.E.U. to two panel system (OXO Doors)

Run a bead of sealant on the mullion covers and then staple the covers to the sidelight. Staple into the substrate and not the fiberglass. A 3/4" staple is recommended. Staple the two mullion covers to the M.E.U. Align M.E.U. with the two panel system. Using (6) #8 x 2" pan head screws, fasten M.E.U. and the two panel systems together through pre-drilled holes in frames. If drip cap is being used on this installation use the aluminum splice to cover the gap at the mullion. (Drip cap by others)



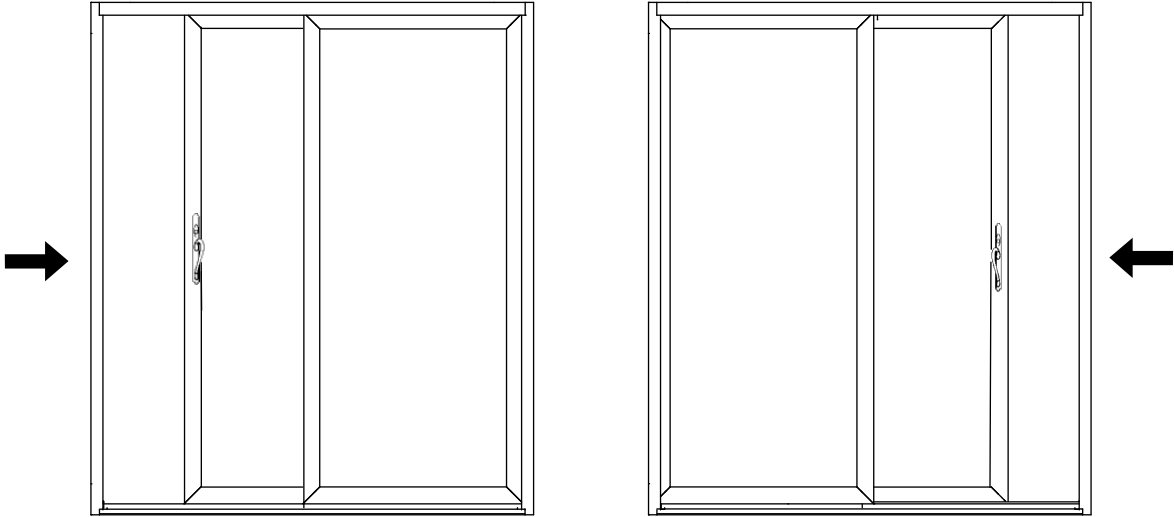
Install system

Turn to page 9 and follow installation steps. Note that some of the details on page 9 are tailored to the double patio system and may vary slightly. The attachment points for the mullied triple are shown below.



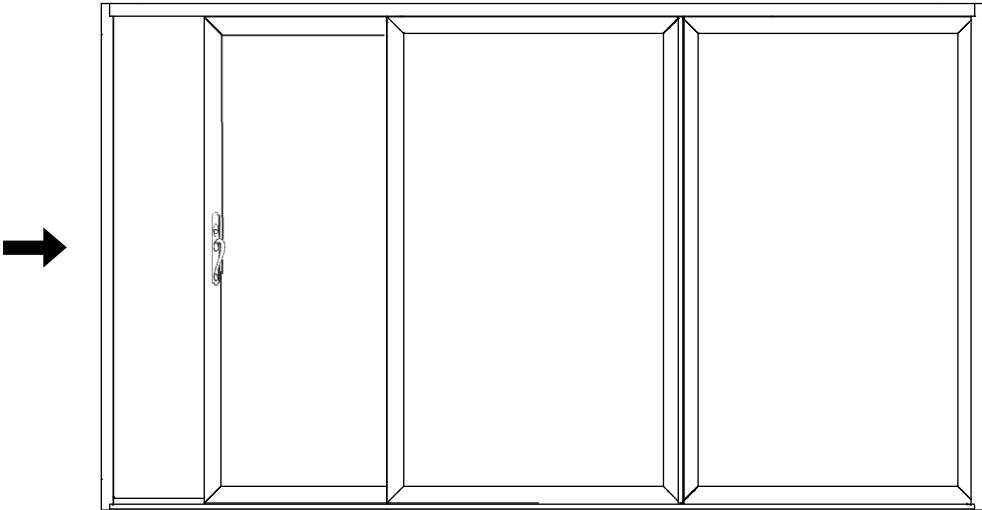
Additional Information

Door handing guide (Doors are handed as viewed from the exterior)
All quad units are left handed.



Left hand door (XO)

Right hand door (OX)




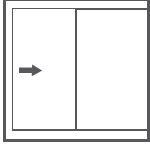
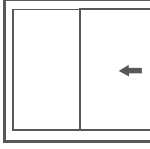
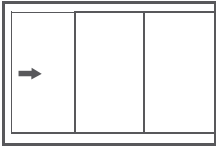
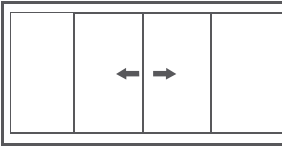
Left hand door (XOO) Shown. (OOX) Opposite

Additional Information

Weatherproof, finish and maintain system

- Apply backer rod where applicable to both the exterior and interior perimeters.
- Apply sealant over backer rod in a continuous manner around exterior side. Seal front bottom edge of sill (discontinuous), seal all joints between jambs and moldings.
- Seal joints between exterior hardware trim and door face to prevent air and water infiltration.
- Apply sealant over backer rod in a continuous manner around exterior side.
- Remove labels on the glass.
- Apply sealant over backer rod in a continuous manner around interior and exterior head and jamb perimeters to seal properly.

Sizing Information

| Door Height | Descriptor | Call Size | RO | Actual Size | Config | Assembly Option | Handing (from exterior) |
|-------------|---------------------------------|-----------|----------------|----------------------|---------|------------------------|---|
| 6'8" | One Panel Stationary Sidelites | 2668 | 33 5/16" x 80" | 32 9/16" X 79 1/2" | 1-panel | Fully Assembled |  |
| 6'8" | | 3068 | 39 5/16" x 80" | 38 9/16" X 79 1/2" | 1-panel | Fully Assembled | |
| 8'0" | | 2680 | 33 5/16" x 96" | 32 9/16" X 95 1/2" | 1-panel | Fully Assembled | |
| 8'0" | | 3080 | 39 5/16" x 96" | 38 9/16" X 95 1/2" | 1-panel | Fully Assembled | |
| 6'8" | Two-Panel Venting Units | 5068 | 60" x 80" | 59 1/4" X 79 1/2" | 2-panel | Kit or Fully Assembled |  XO |
| 6'8" | | 6068 | 72" x 80" | 71 1/4" X 79 1/2" | 2-panel | Kit or Fully Assembled | |
| 6'8" | | 8068 | 96" x 80" | 95 1/4" X 79 1/2" | 2-panel | Kit or Fully Assembled |  OX |
| 8'0" | | 8080 | 96" x 96" | 95 1/4" X 95 1/2" | 2-panel | Kit or Fully Assembled | |
| 6'8" | Three Panel End Venting Units | 9068 | 108" x 80" | 106 13/16" X 79 1/2" | 3-panel | Kit Only |  XOO |
| 6'8" | | 12068 | 144" x 80" | 142 13/16" X 79 1/2" | 3-panel | Kit Only | |
| 6'8" | Four Panel Center Venting Units | 12068 | 144" x 80" | 139 3/4" X 79 1/2" | 4-panel | Kit Only |  OXXO |
| 8'0" | | 16080 | 192" x 96" | 187 3/4" X 95 1/2" | 4-panel | Kit Only | |

**Sidelights are not available separately. Sidelights are for Center Slide 3-panel doors.



ALPEN

CLEAR PERFORMANCE

Alpen HPP, LLC. dba Alpen High Performance Products

6268 Monarch Park Place

Longmont, CO 80503

303.834.3600/800.882.4466

Fax: 303.834.3541

For more information, visit www.ThinkAlpen.com.

© 2012 Alpen HPP, LLC. All rights reserved. Alpen High Performance Products, Alpen Windows, and Alpenglass logo are trademarks of Alpen HPP, LLC in the United States and other countries. Information subject to change without notice.