



# INSTRUCTIONS FOR INSTALLING FRAME & BRICKMOLD CLADDING - FOR CLADDING SHIPPED LOOSE

## Tools & Materials You Will Need:

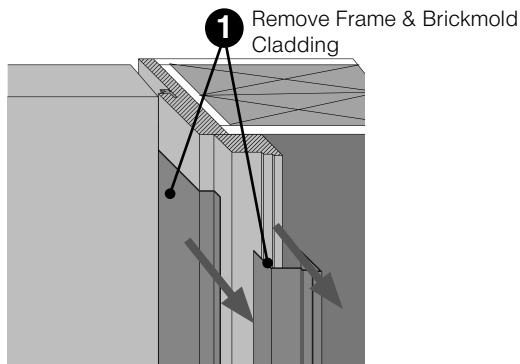
• (1) Box #8 x 3" Phillips Flathead Installation Screws	• Caulking Gun
• Construction Adhesive	• Brads - 3/4" or 1"
• Hammer	• ProVia Color-Matched Caulking or any High Quality Caulking in Accordance with ASTM C 920 Class 25

**REMEMBER:** ALWAYS USE THE APPROPRIATE PERSONAL PROTECTIVE EQUIPMENT.



Homes built before 1978 may contain lead paint. All replacement installations must comply with the U.S. EPA's Lead-Based Paint Renovation, Repair, and Painting Program (RRP Rule). Read more about the RRP Rule and lead-safe work practices, on the U.S. EPA's website at: [www.epa.gov/lead](http://www.epa.gov/lead)

## 1 REMOVE BRICKMOLD CLADDING TO INSTALL ENTRY DOOR SYSTEM



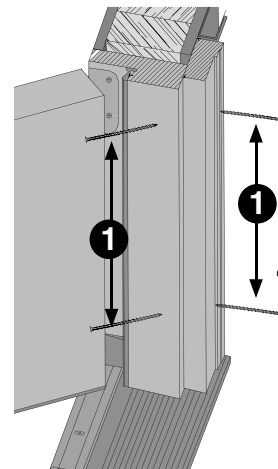
**Step 1-** Remove frame and brickmold cladding (see illustration).

**Step 2-** Install entry door according to installation instructions included with door.

## 2 SECURE FRAME IN COASTAL REGIONS FOR WINDLOAD CRITERIA (IF APPLICABLE)



You must secure the brickmold and jamb frame as specified in the installation instructions by the Florida Building Commission or your applicable local & state building codes.

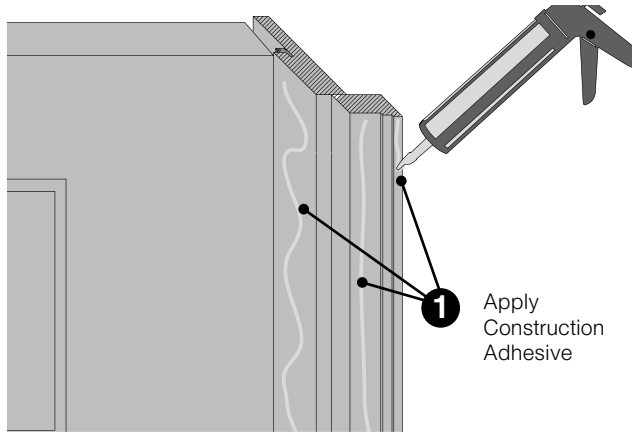


**Step 1 -** Secure the brickmold and jamb frame using #8 x 3" Phillips Flathead Screws as specified in the installation instructions by the Florida Building Commission.

Check Florida Building Commission Codes!

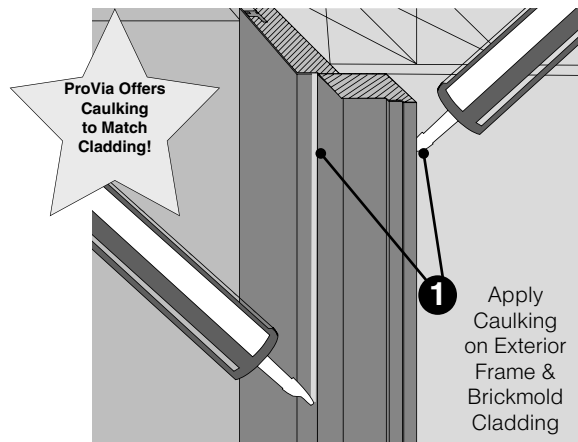
Install #8 x 3" Phillips Flathead Screws

### 3 APPLY CONSTRUCTION ADHESIVE



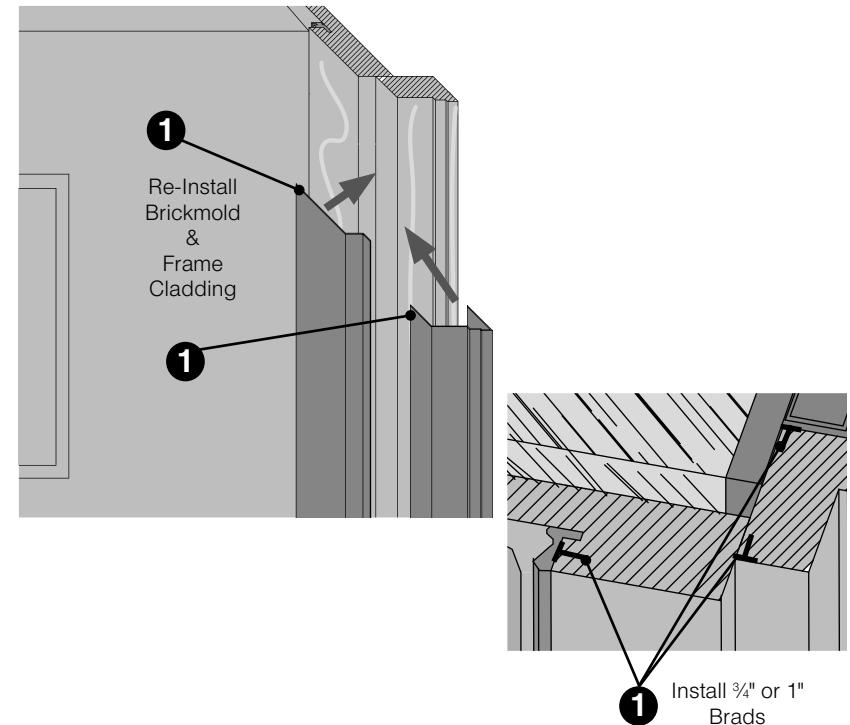
**Step 1-** Using a construction adhesive, apply ample beads of adhesive on both the frame and exterior of brickmold.

### 5 CAULK EXTERIOR



**Step 1 -** Using a ProVia color matched caulking or any other high quality caulking in accordance with ASTM C 920 Class 25, caulk the exterior frame and brickmold cladding (see illustration).

### 4 RE-INSTALL BRICKMOLD & SECURE



**Step 1-** Re-install brickmold and frame cladding and tack in place with 3/4" or 1" brads (see illustration).

Version 1.6 - 09.26.2011 - © 2011 ProVia - P-MK-61010



2150 State Route 39, Sugarcreek, OH 44681  
330.852.4711 330.852.2107 fax  
[www.proviaproducts.com](http://www.proviaproducts.com)