

ALL GLAZING OPTIONS

## TYROL STANDARD

## TYROL PH+

### 3-SERIES

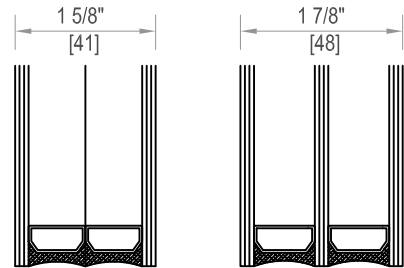
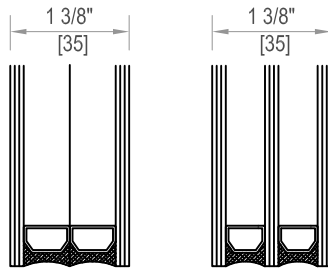
ARGON FILL



NOT AVAILABLE

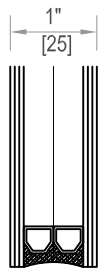
### 5 OR 6-SERIES

ARGON FILL



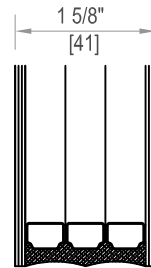
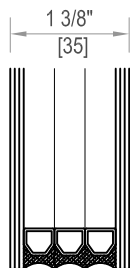
### 7-SERIES

KRYPTON FILL



### 9 OR 11-SERIES

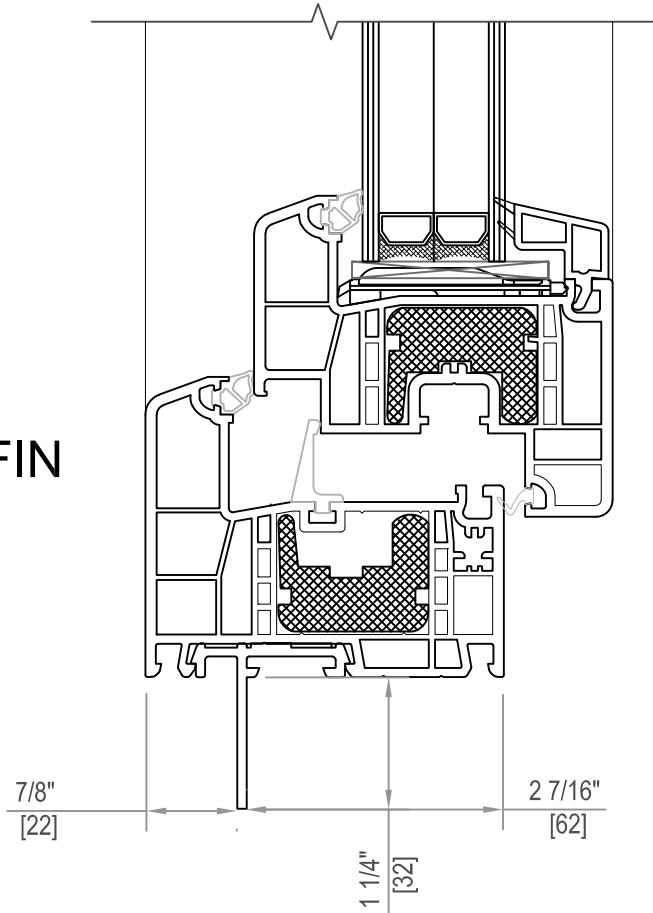
KRYPTON FILL



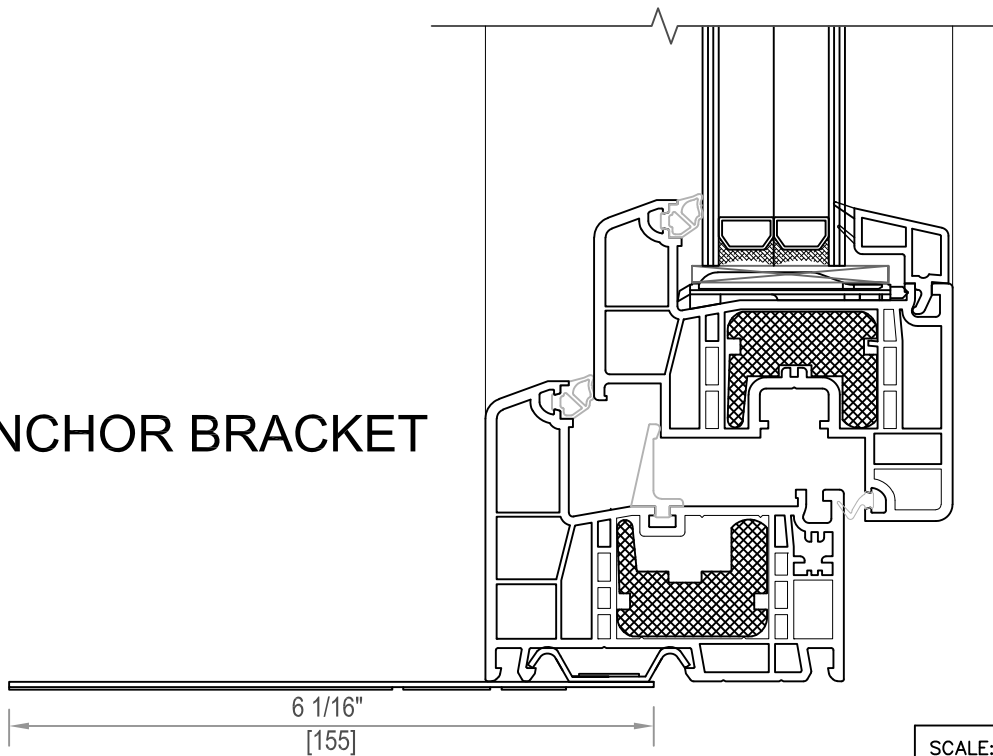
SCALE: NTS

## TILT TURN WITH NAILING FIN AND ANCHOR BRACKET

NAILING FIN



ANCHOR BRACKET

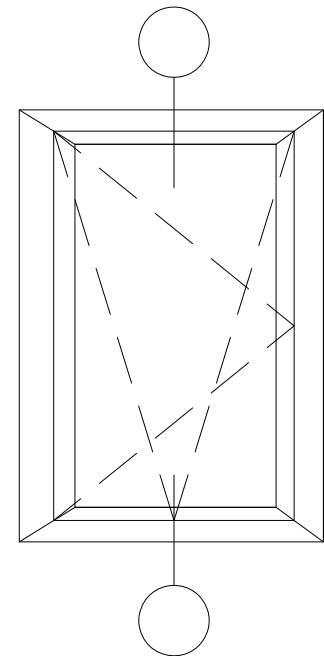
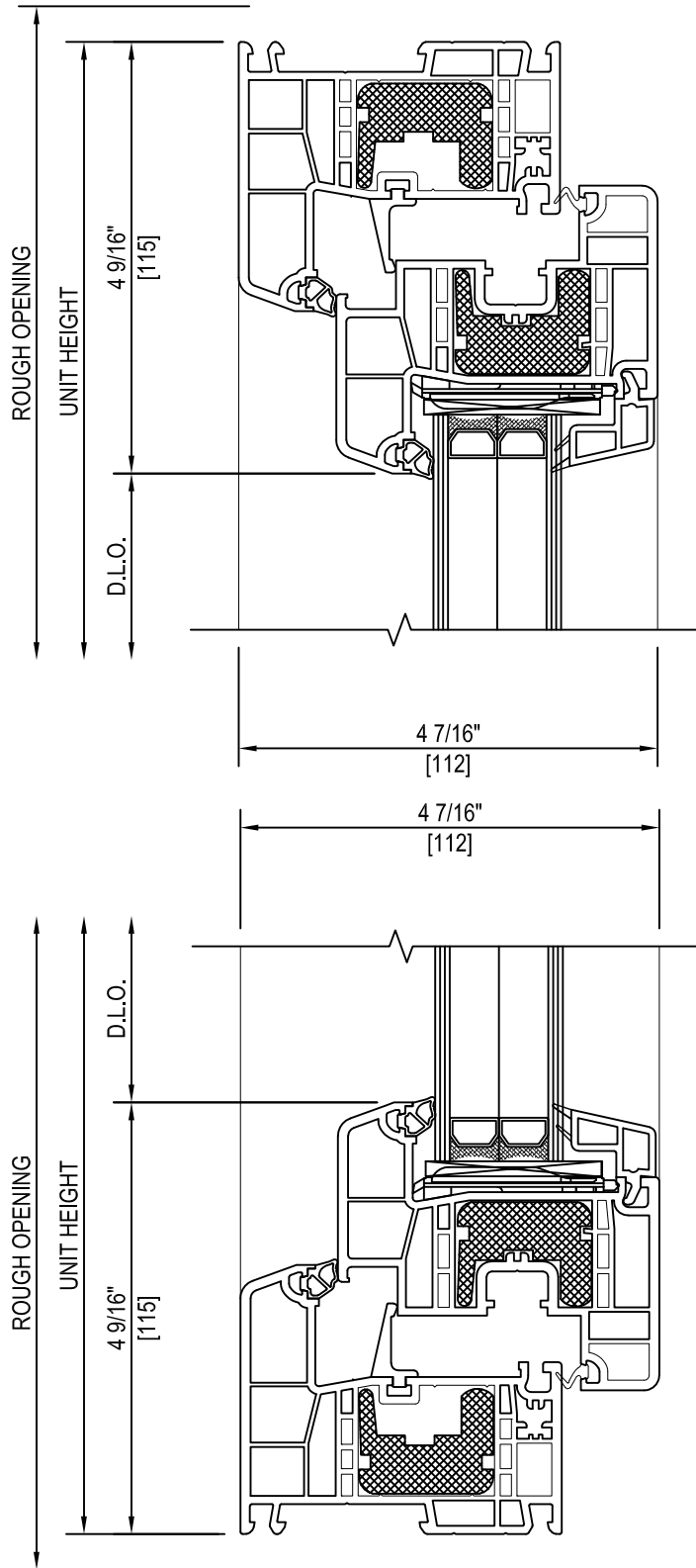


SCALE: NTS

SECTION AT HEAD AND SILL

SERIES/GLAZING: TR-6

FRAME TYPE: STD

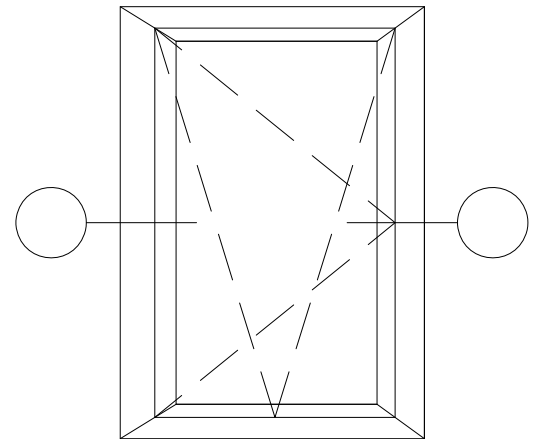
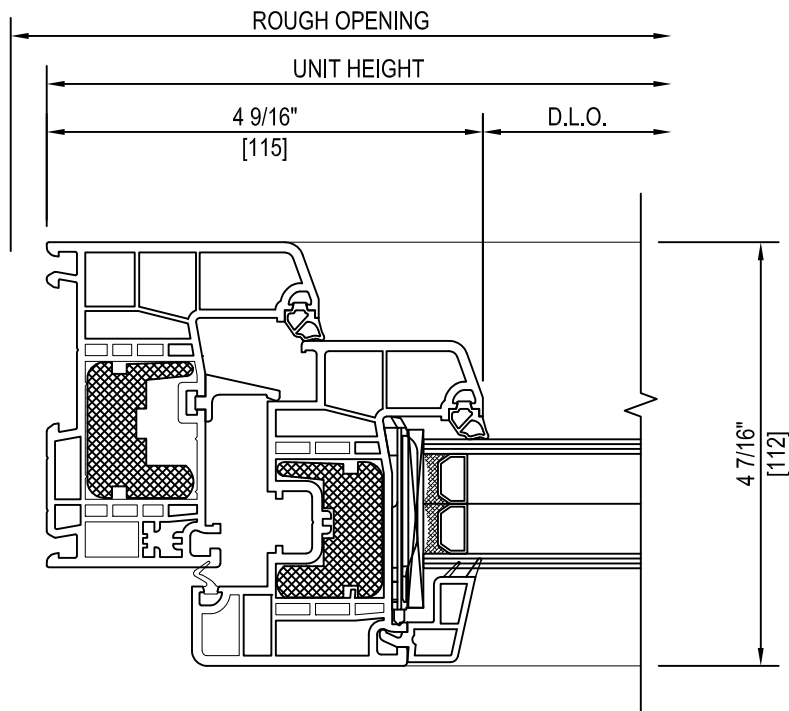
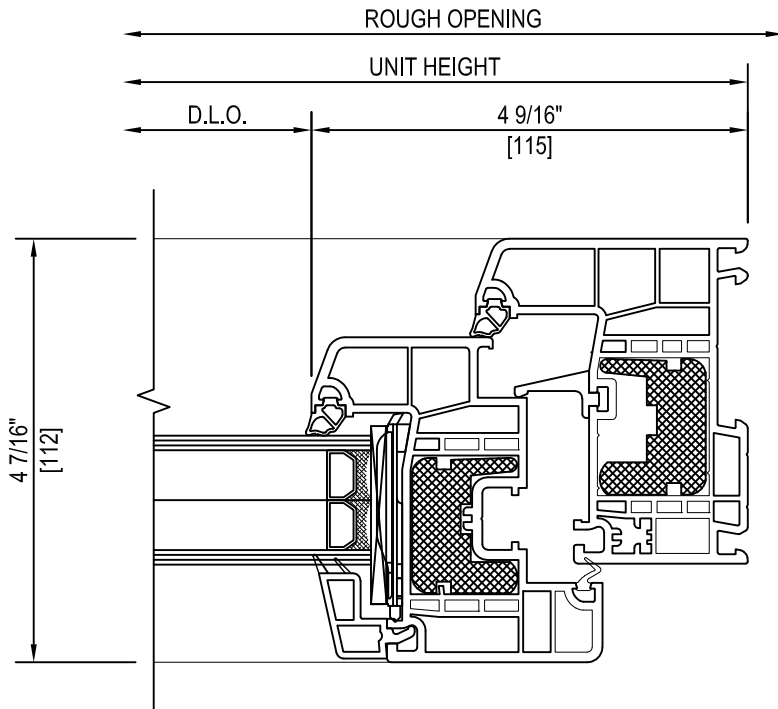


SCALE: 6" = 1'-0"

SECTION AT JAMBS

SERIES/GLAZING: TR-6

FRAME TYPE: STD

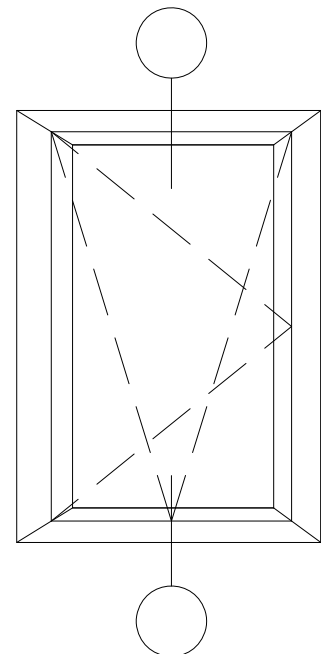
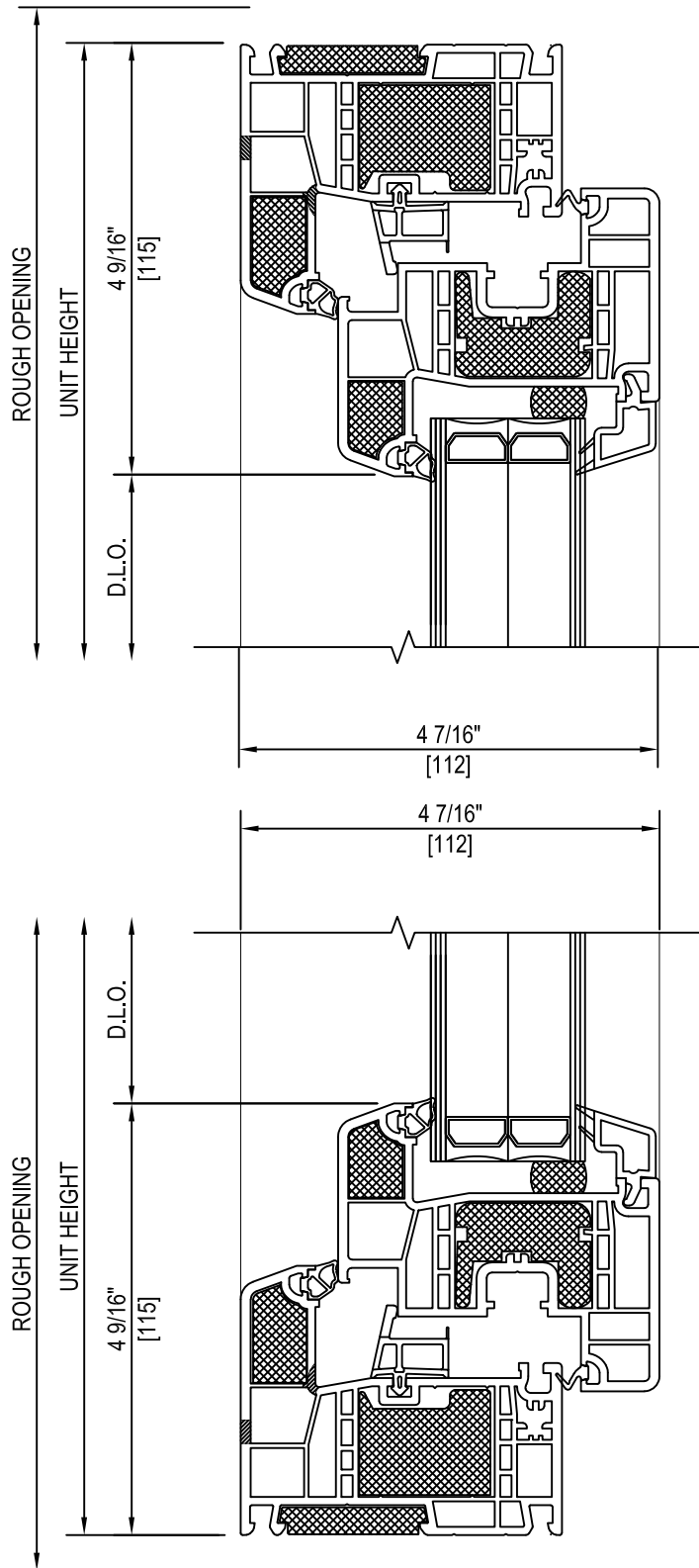


SCALE: 6" = 1'-0"

SECTION AT HEAD AND SILL

SERIES/GLAZING: TR-6 PH+

FRAME TYPE: PH+

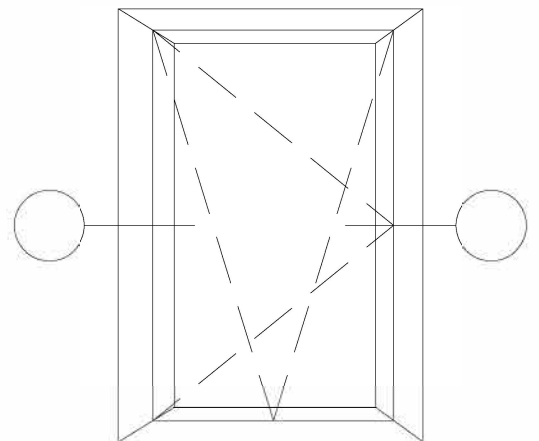
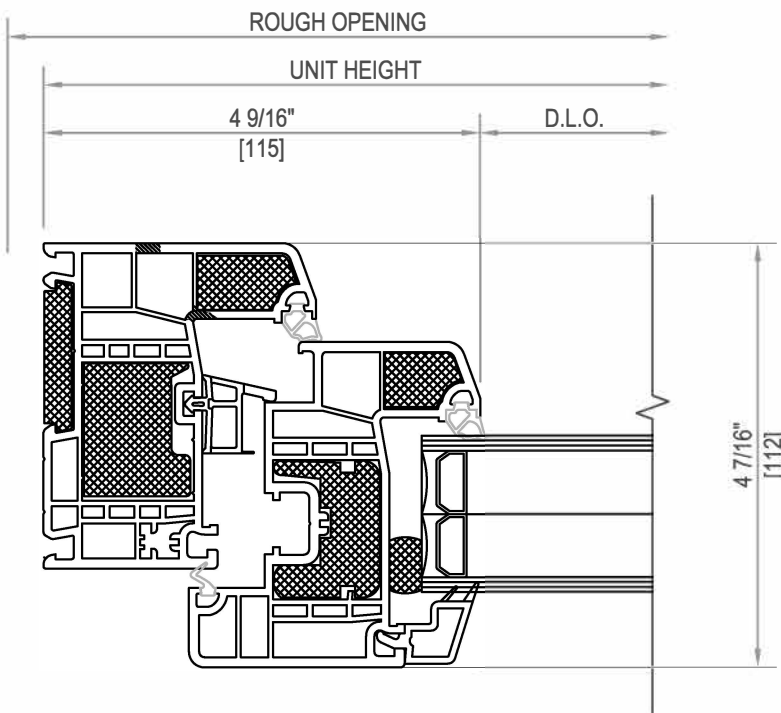
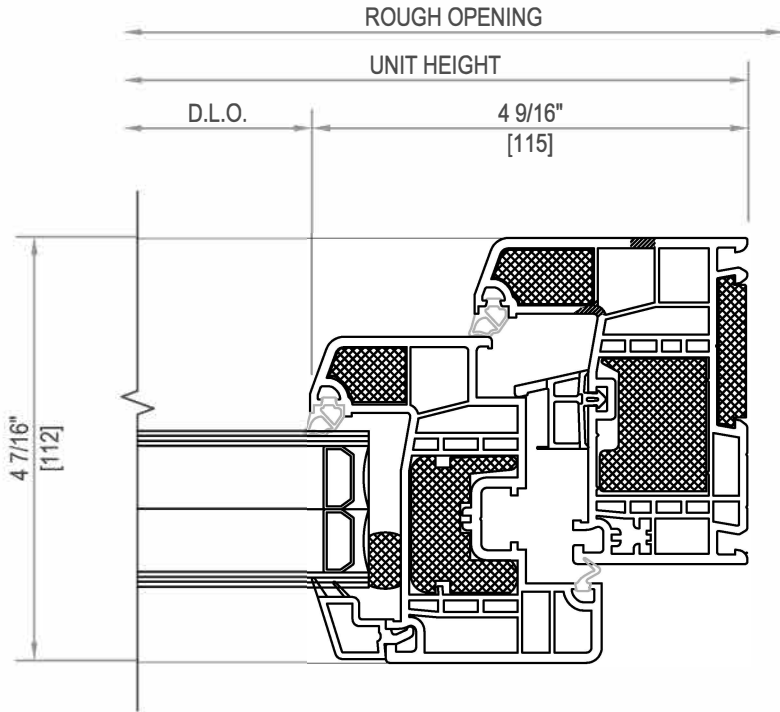


SCALE: 6" = 1'-0"

SECTION AT JAMBS

SERIES/GLAZING: TR-6 PH+

FRAME TYPE: PH+



SCALE: 6" = 1'-0"