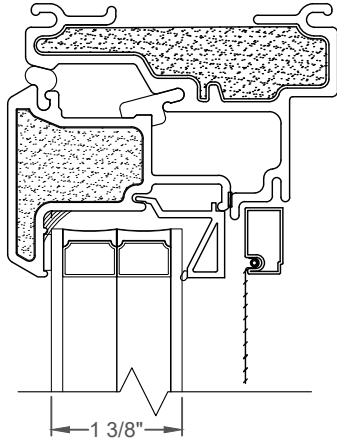
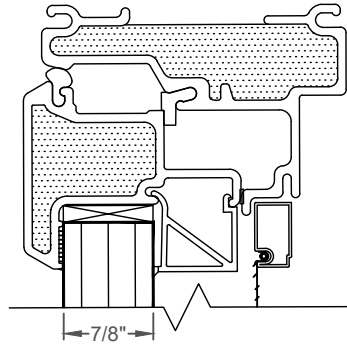


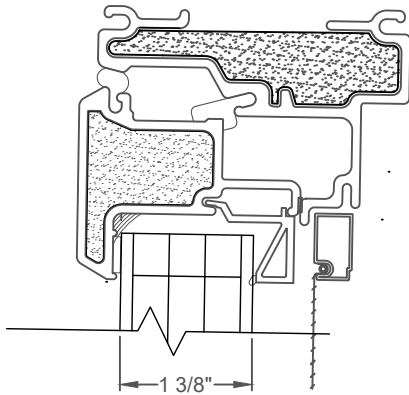
WINDOW DETAILS: GLAZING OPTIONS



ZR-5/ZR-6 SERIES TRIPLE
PANE WITH SUSPENDED
FILM ARGON GAS FILL

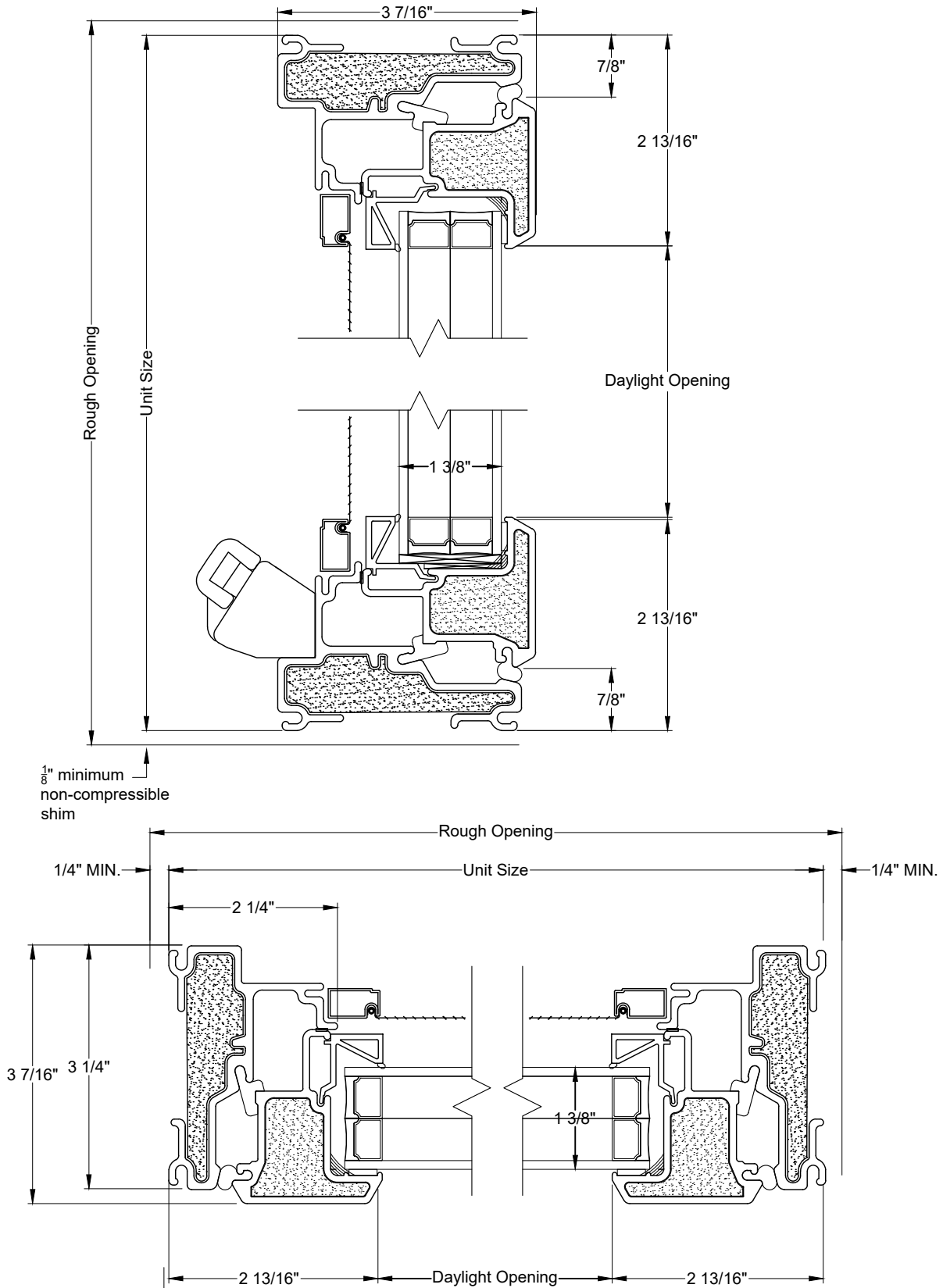


ZR-7 SERIES TRIPLE
PANE WITH SUSPENDED
FILM KRYPTON GAS FILL

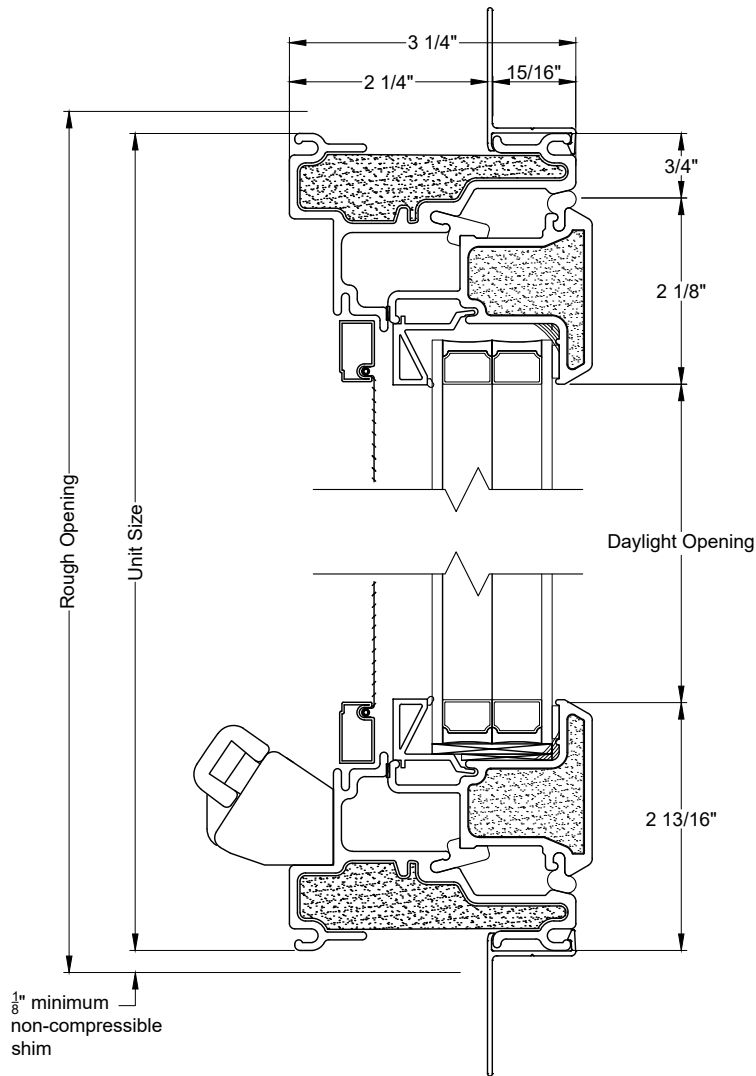


ZR-9/ZR-10 SERIES QUAD
PANE WITH SUSPENDED
FILM KRYPTON GAS FILL

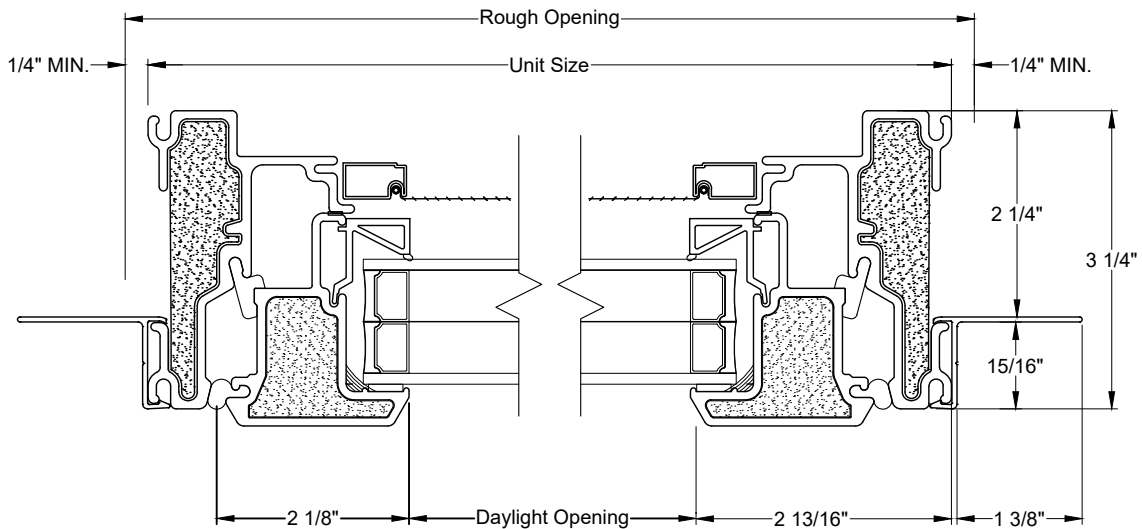
WINDOW DETAILS: SECTIONS AND DIMENSIONS



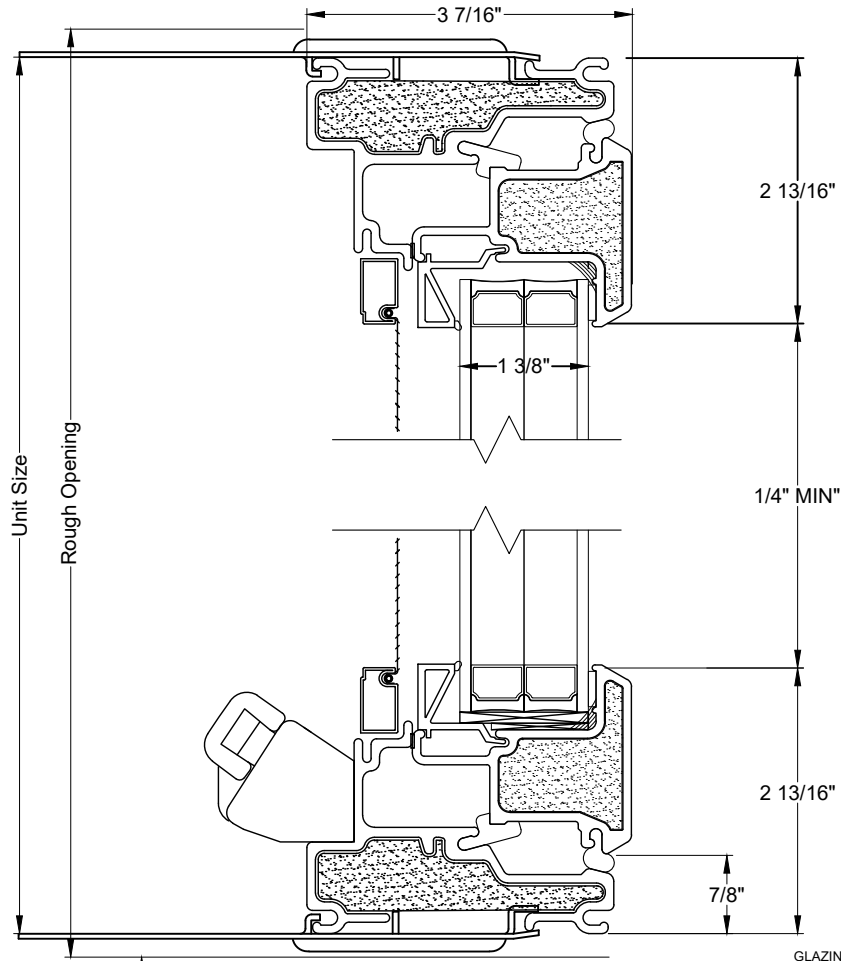
WINDOW DETAILS: NON INTEGRAL ALUMINUM NAIL FIN



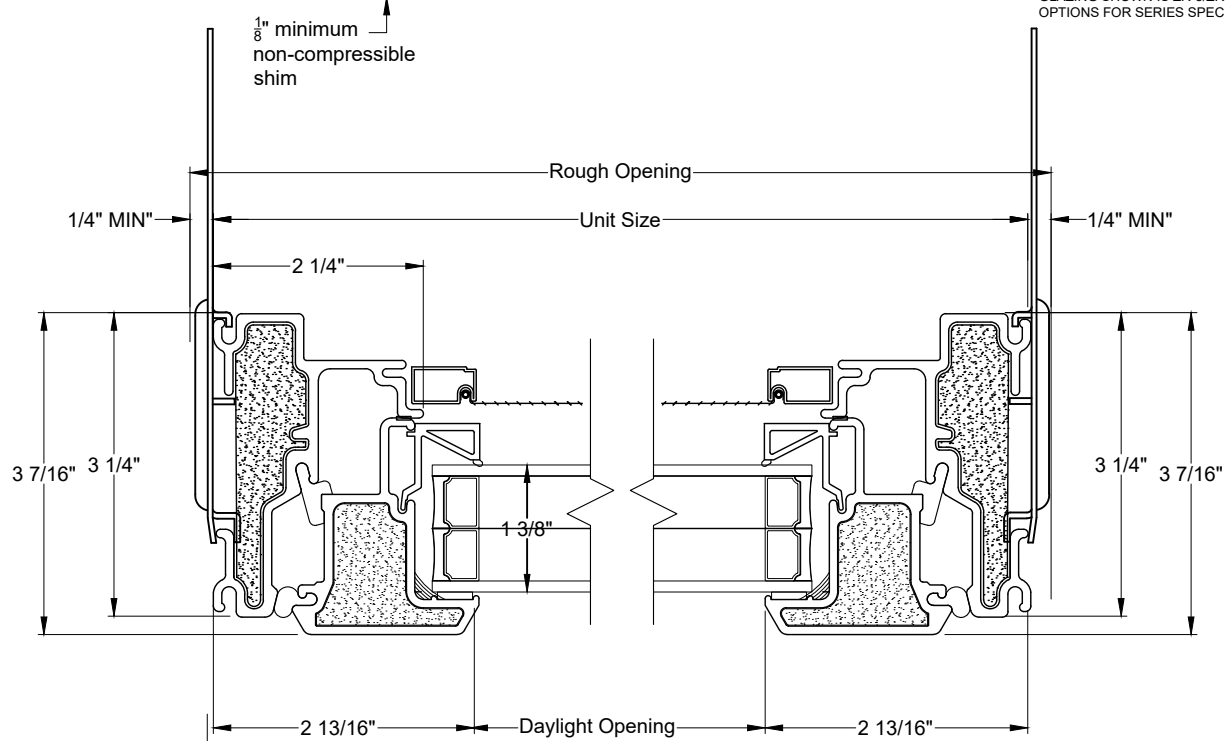
GLAZING SHOWN IS ZR-5/ZR-6 SERIES. REFER TO GLAZING OPTIONS FOR SERIES SPECIFIC GLAZING DETAILS.



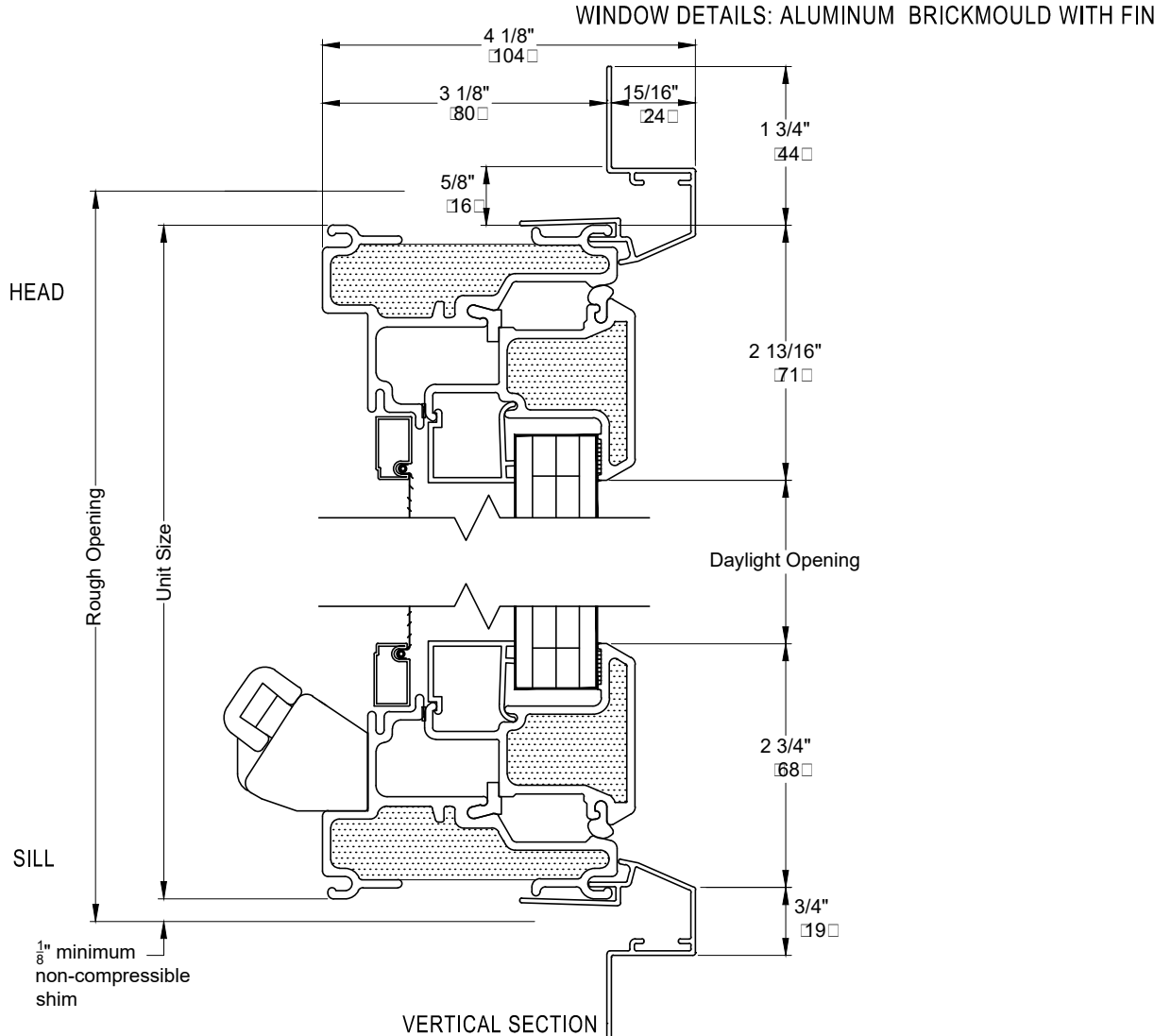
WINDOW DETAILS: ANCHOR STRAPS



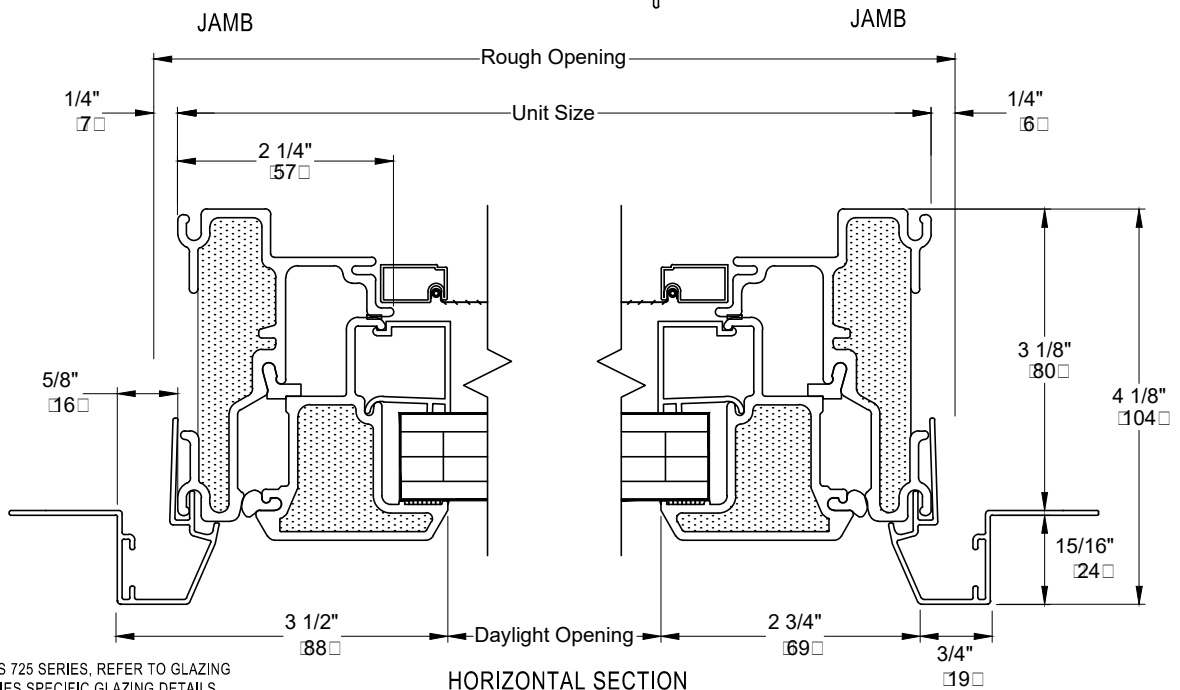
GLAZING SHOWN IS ZR-5/ZR-6 SERIES. REFER TO GLAZING OPTIONS FOR SERIES SPECIFIC GLAZING DETAILS.



WINDOW DETAILS: ALUMINUM BRICKMOULD WITH FIN



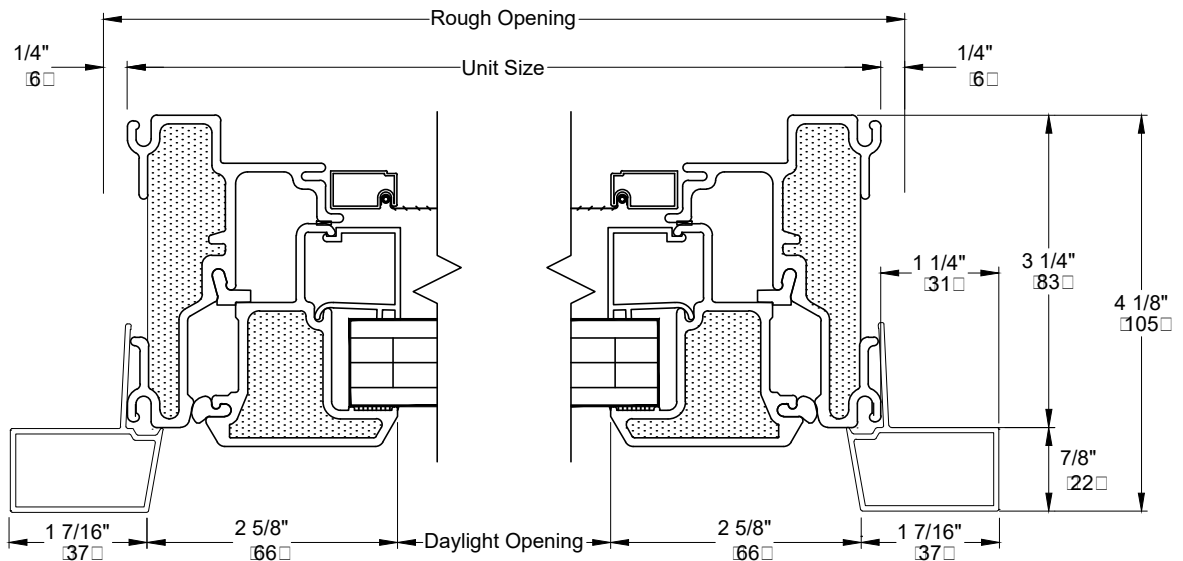
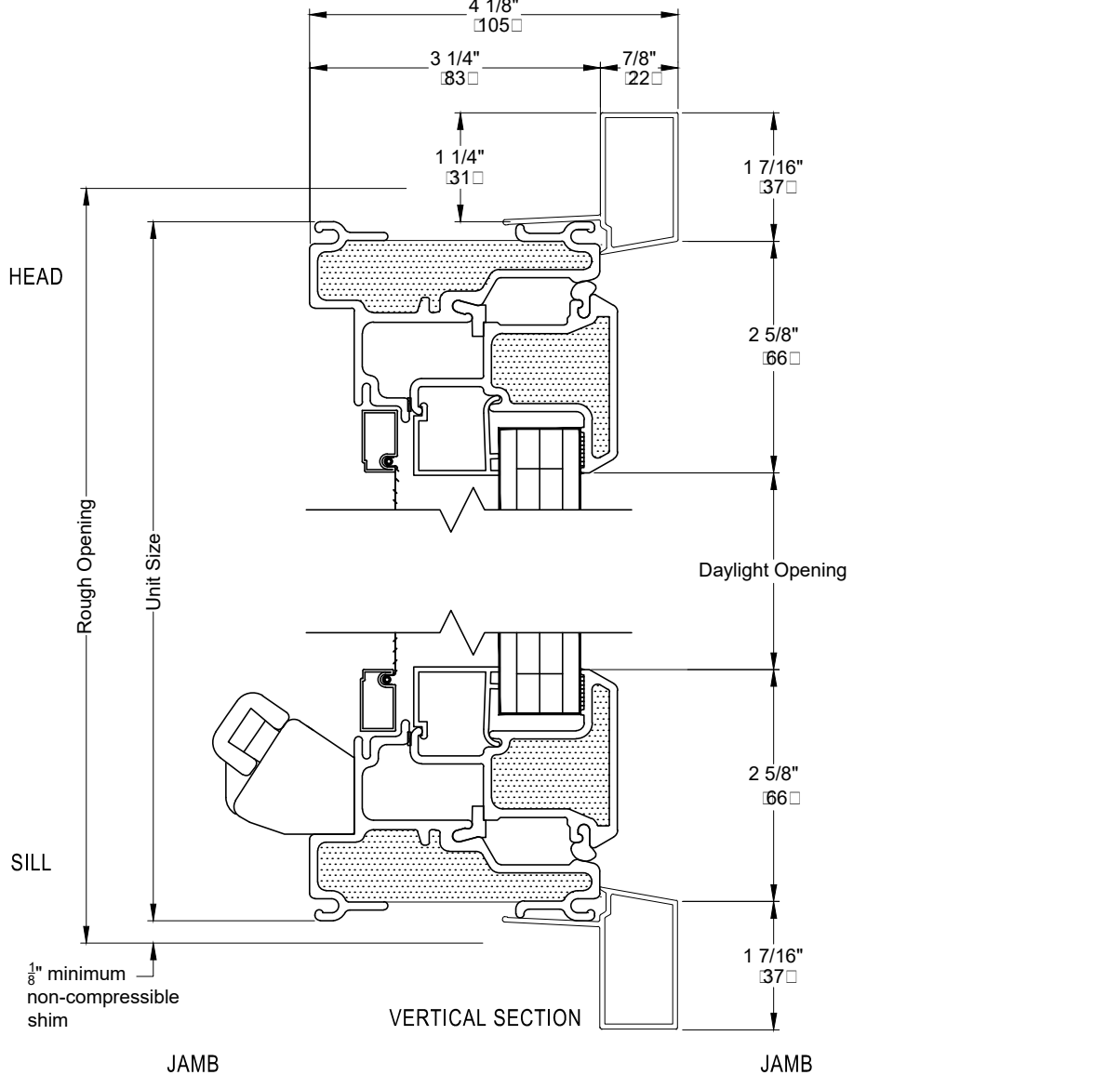
VERTICAL SECTION



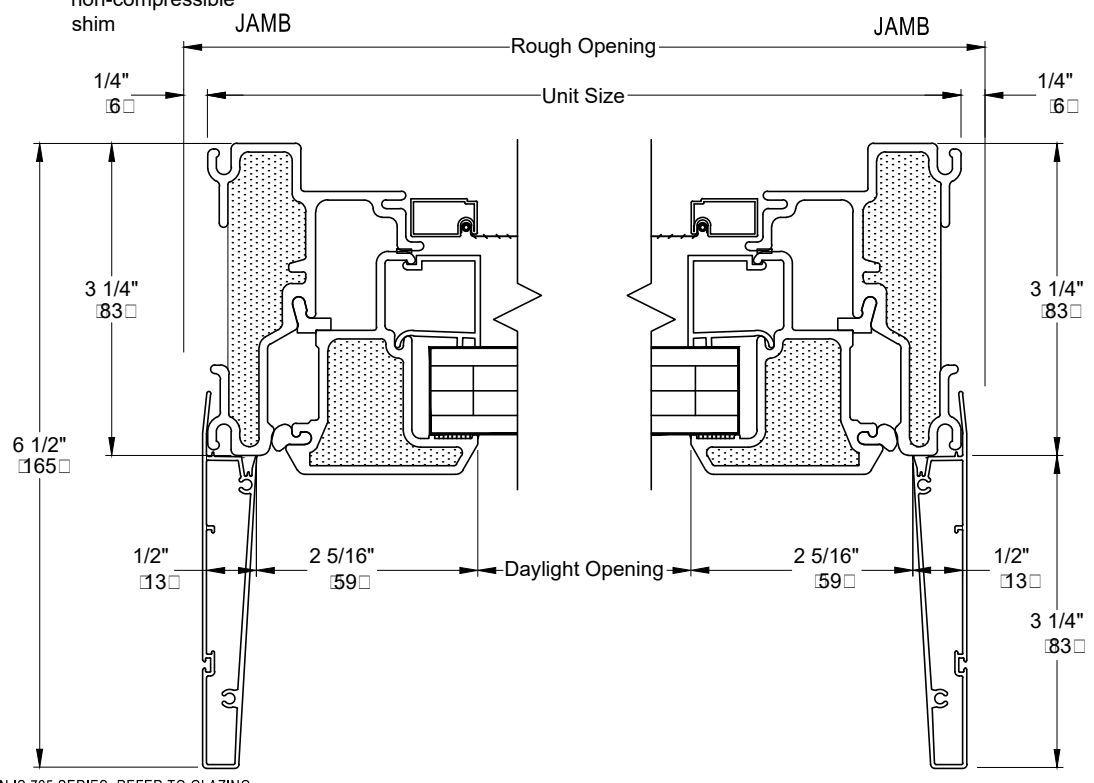
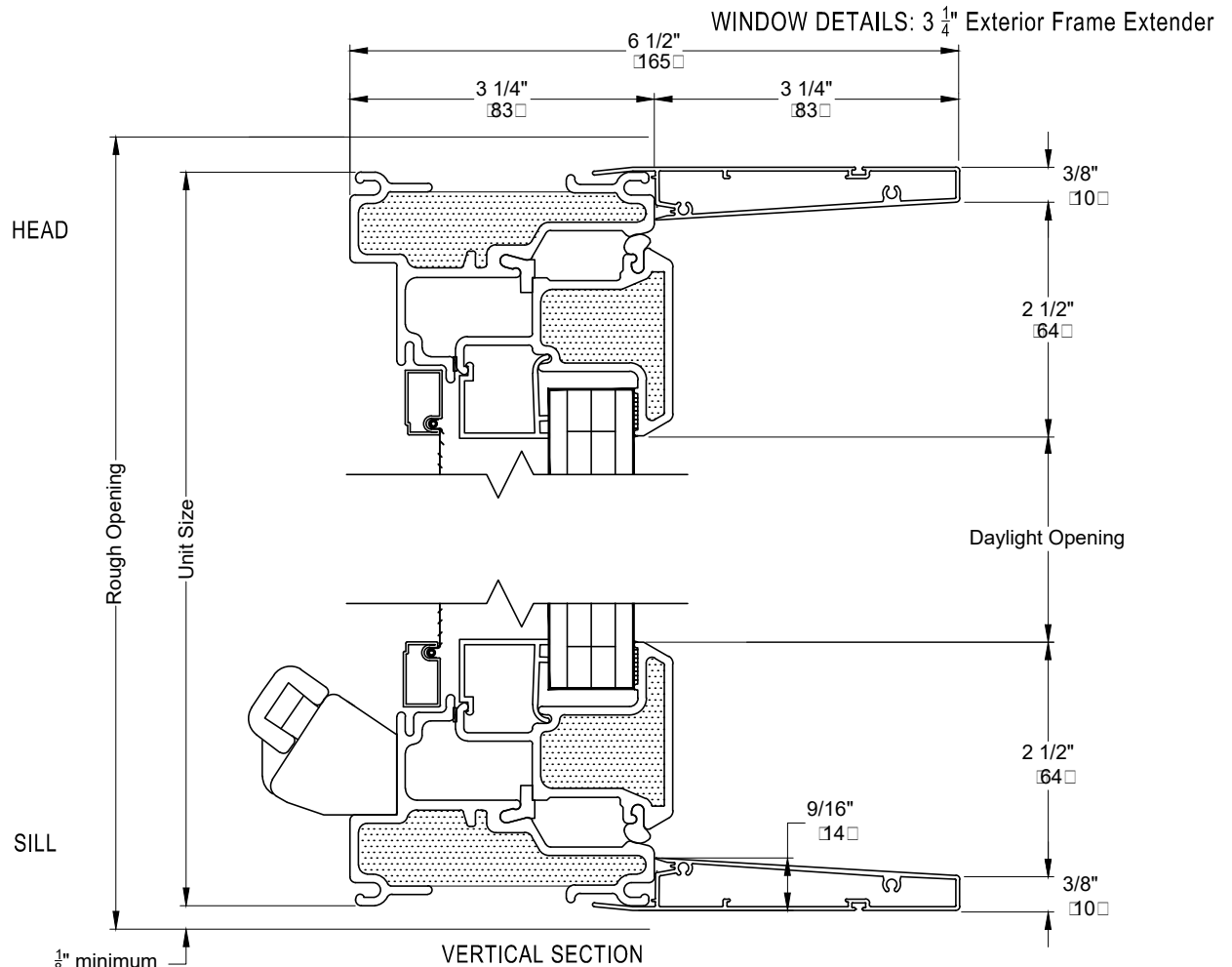
HORIZONTAL SECTION

GLAZING SHOWN IS 725 SERIES, REFER TO GLAZING OPTIONS FOR SERIES SPECIFIC GLAZING DETAILS.

WINDOW DETAILS: ALUMINUM BRICKMOULD WITHOUT FIN



GLAZING SHOWN IS 725 SERIES, REFER TO GLAZING OPTIONS FOR SERIES SPECIFIC GLAZING DETAILS.

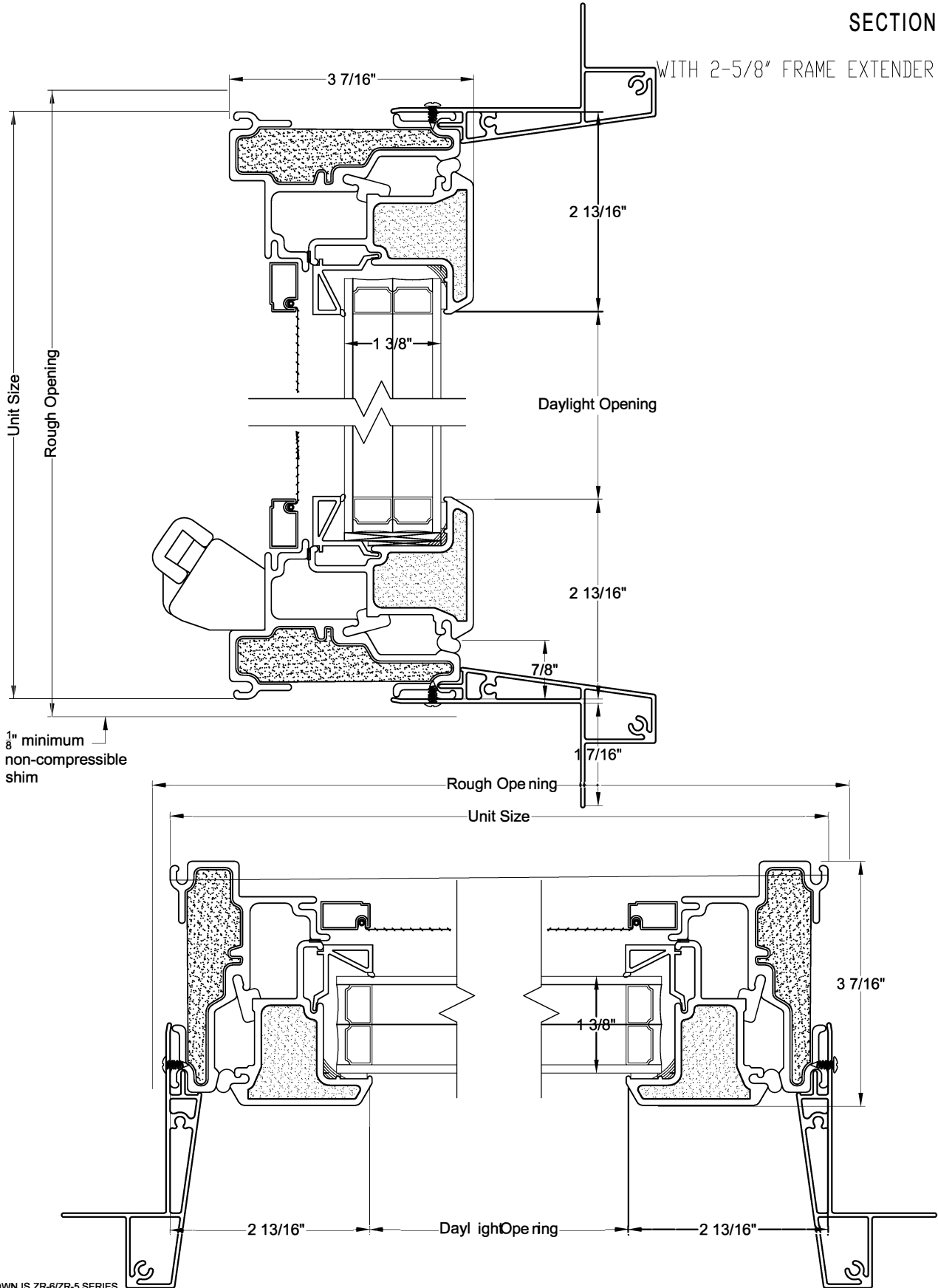


GLAZING SHOWN IS 725 SERIES, REFER TO GLAZING OPTIONS FOR SERIES SPECIFIC GLAZING DETAILS.

HORIZONTAL SECTION

SECTION DETAILS

WITH 2-5/8" FRAME EXTENDER WITH FIN



GLAZING SHOWN IS ZR-6/ZR-5 SERIES.
REFER TO GLAZING OPTIONS FOR SERIES SPECIFIC GLAZING
DETAILS.

DRAWING DATE:
04-20-18

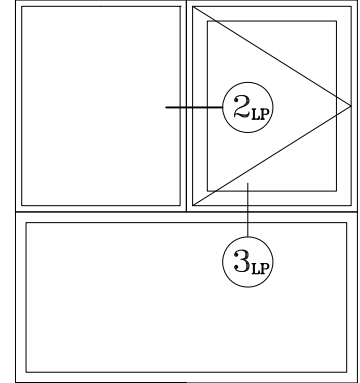
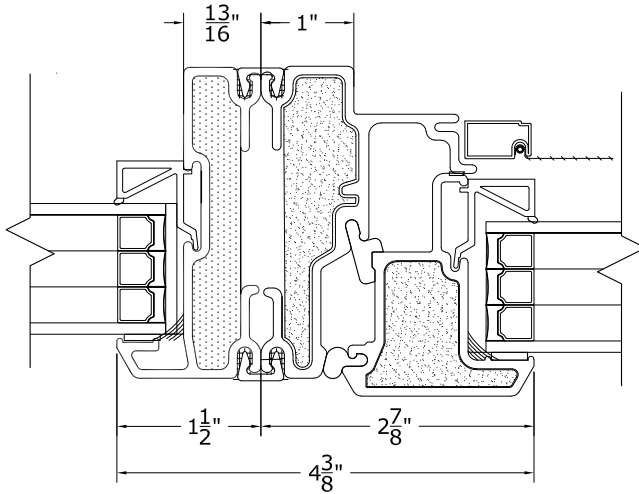
Alpen High Performance Products
6268 Monarch Park Pl. Longmont, CO 80503 | 1-800-882-4466 | www.ThinkAlpen.com

SCALE:
6" = 1'-0"

SECTION AT MULLIONS

WITH FIXED LOW PROFILE

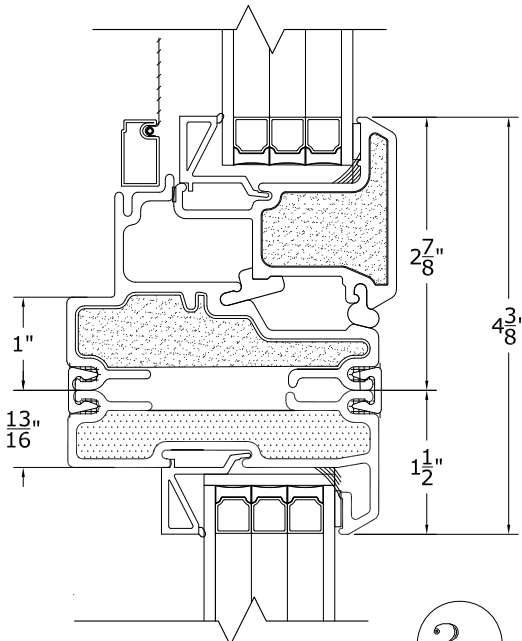
FACTORY TIGHT ("ZERO") MULLION



1_{LP}

"TIGHT"/"ZERO" MULL

AWNING BESIDE FIXED LOW PROFILE



2_{LP}

"TIGHT"/"ZERO" MULL

AWNING OVER FIXED LOW PROFILE

GLAZING SHOWN IS ZR-9 SERIES.
REFER TO GLAZING OPTIONS FOR SERIES SPECIFIC GLAZING
DETAILS.

SCALE: 6" = 1'-0"

DRAWING DATE:

04-20-18

Alpen High Performance Products

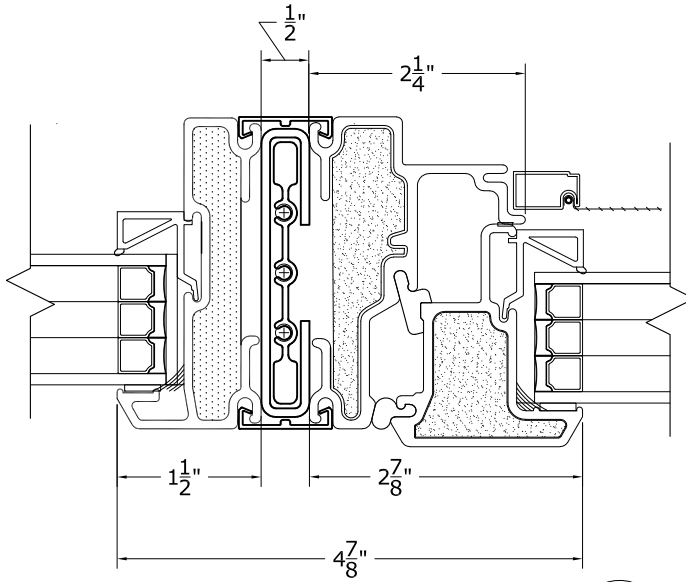
6268 Monarch Park Pl. Longmont, CO 80503 | 1-800-882-4466 | www.ThinkAlpen.com

SECTION AT MULLIONS

WITH FIXED LOW PROFILE

FACTORY $\frac{1}{2}$ " STRUCTURAL MULLION

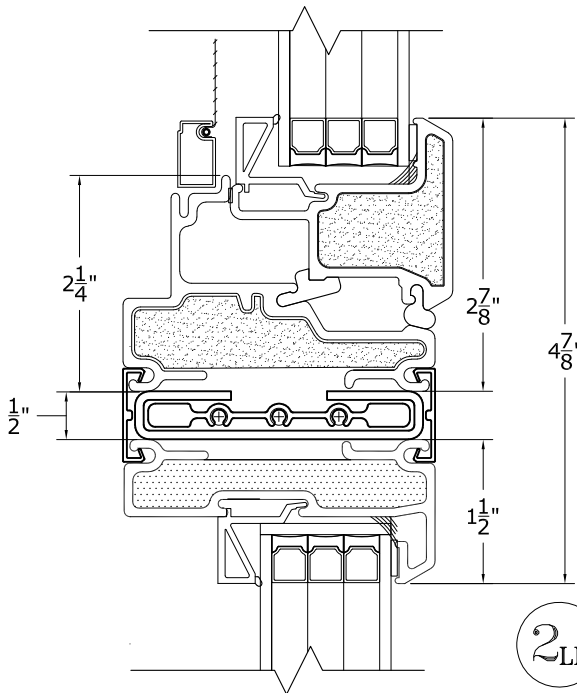
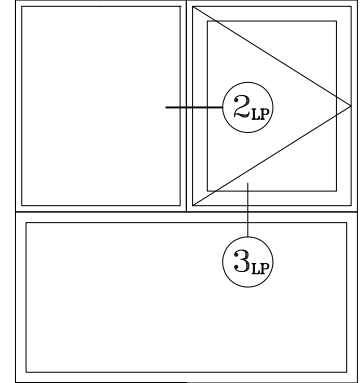
USE THIS MULLION FOR LARGE ASSEMBLIES AND APPLICATIONS WITH HIGH WIND LOAD
SEE STRUCTURAL MULLION DATASHEET FOR MORE INFORMATION



1_{LP}

$\frac{1}{2}$ " STRUCTURAL MULL

AWNING BESIDE FIXED LOW PROFILE



2_{LP}

$\frac{1}{2}$ " STRUCTURAL MULL

AWNING OVER FIXED LOW PROFILE

GLAZING SHOWN IS ZR-9 SERIES.
REFER TO GLAZING OPTIONS FOR SERIES SPECIFIC GLAZING DETAILS.

SCALE: 6" = 1'-0"

DRAWING DATE:

04-20-18

Alpen High Performance Products

6268 Monarch Park Pl. Longmont, CO 80503 | 1-800-882-4466 | www.ThinkAlpen.com