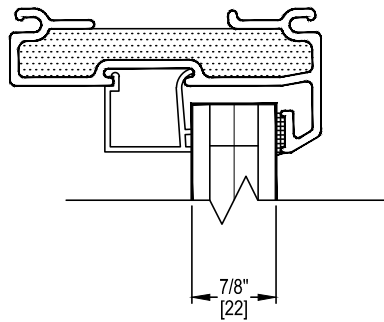
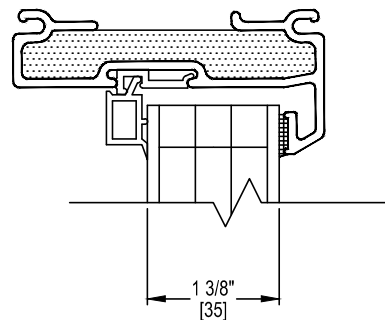


525 SERIES
DUAL PANE WITH 1 SHG FILM
ARGON GAS FILL

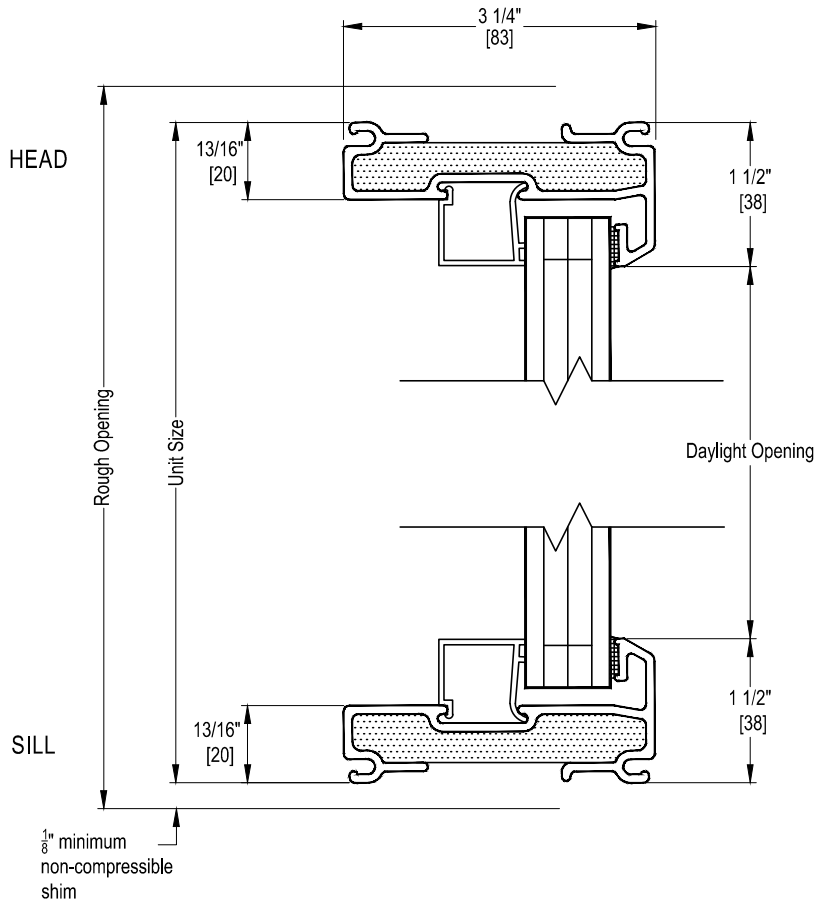


725 SERIES
DUAL PANE WITH 1 SHG FILM
KRYPTON GAS FILL

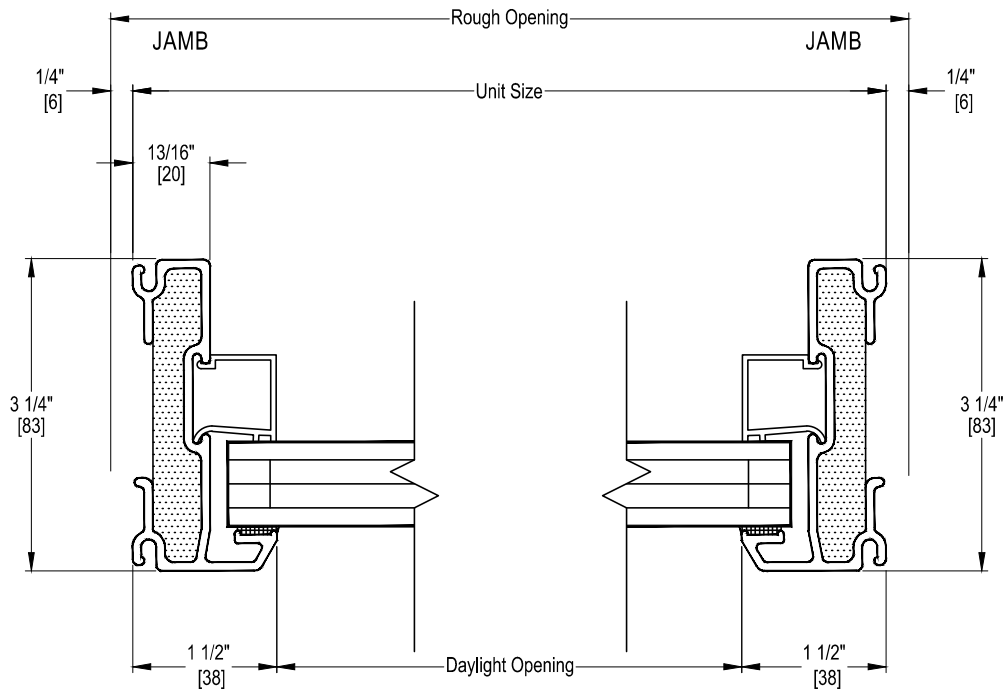


925 SERIES
DUAL PANE WITH 2 SHG FILM
KRYPTON GAS FILL

WINDOW DETAILS: SECTIONS AND DIMENSIONS

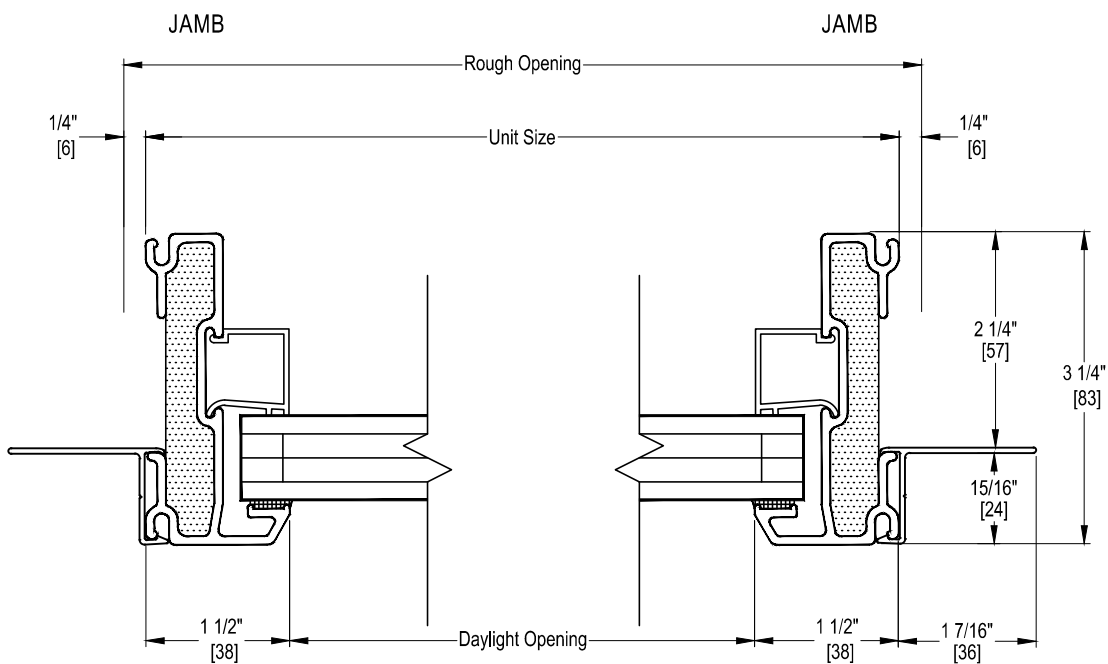
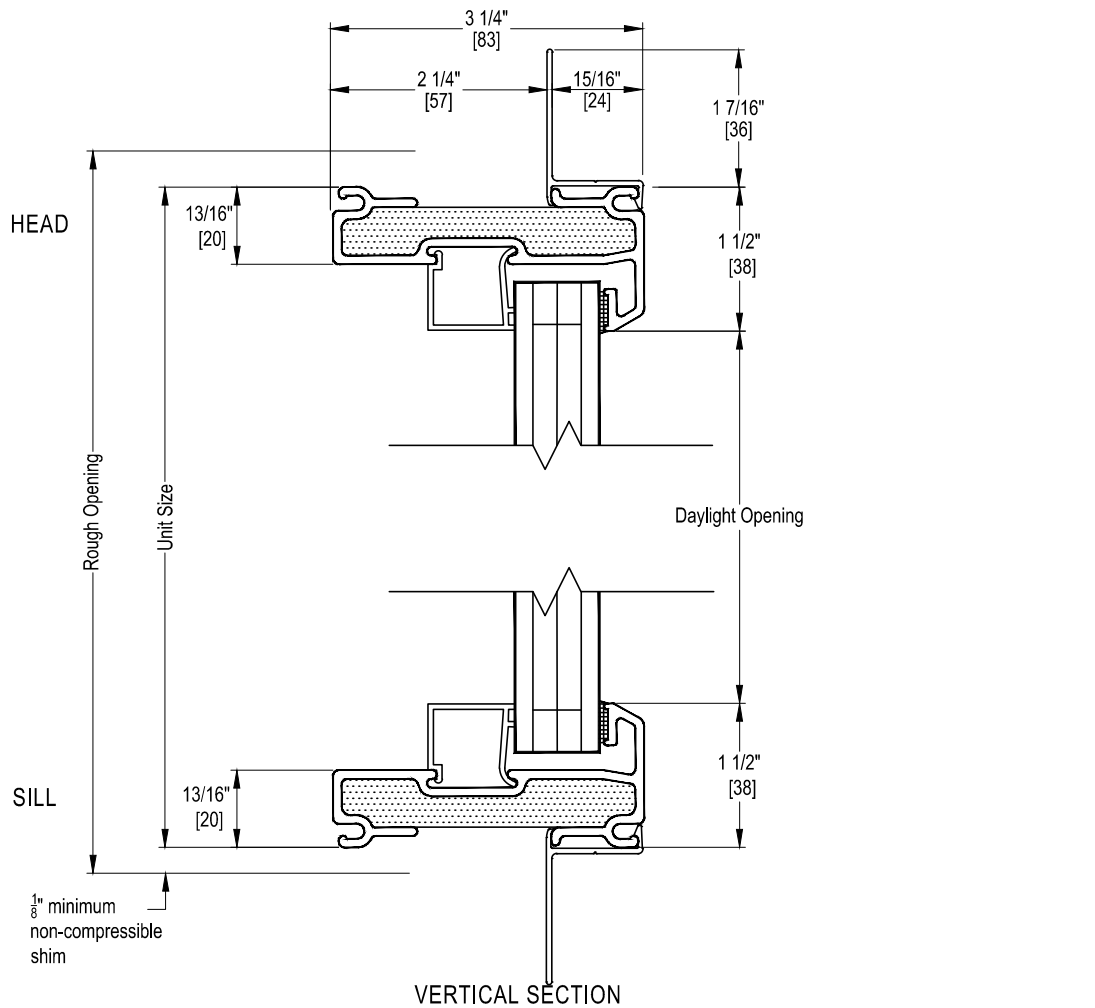


VERTICAL SECTION



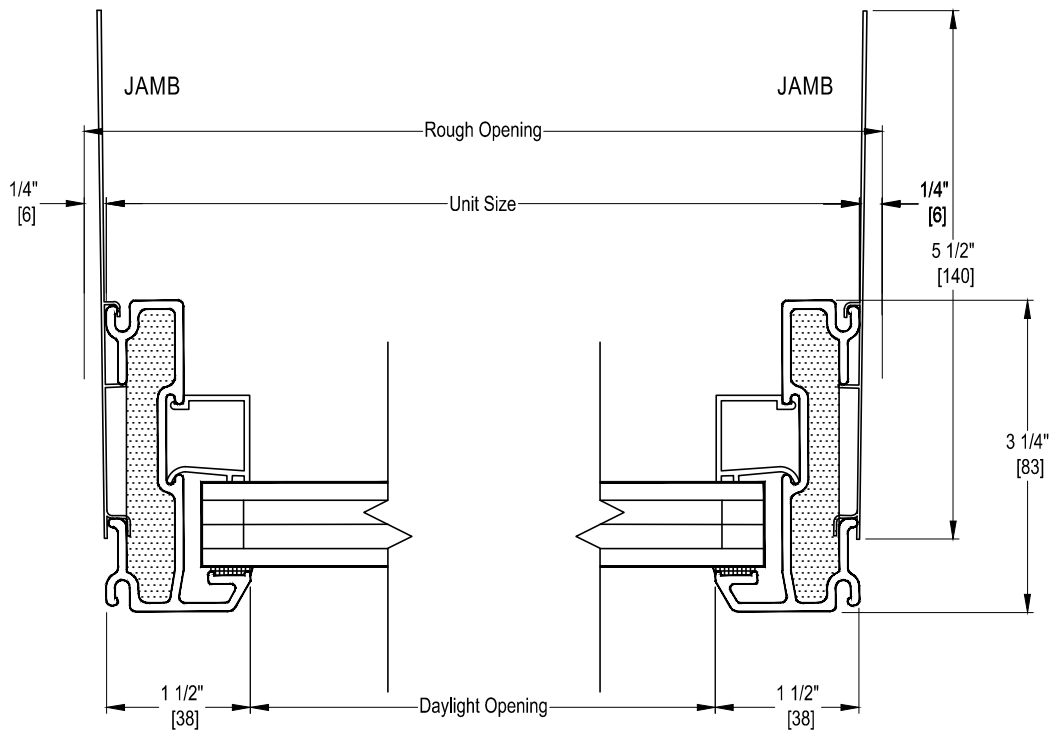
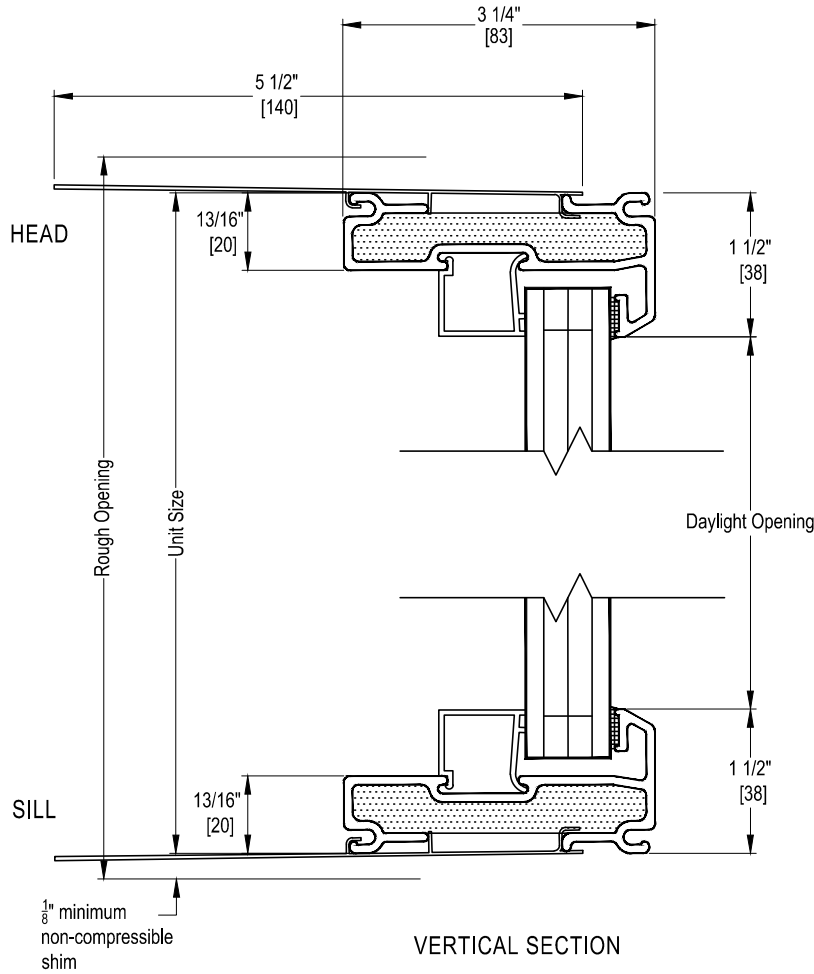
HORIZONTAL SECTION

GLAZING SHOWN IS 725 SERIES, REFER TO GLAZING OPTIONS FOR SERIES SPECIFIC GLAZING DETAILS.



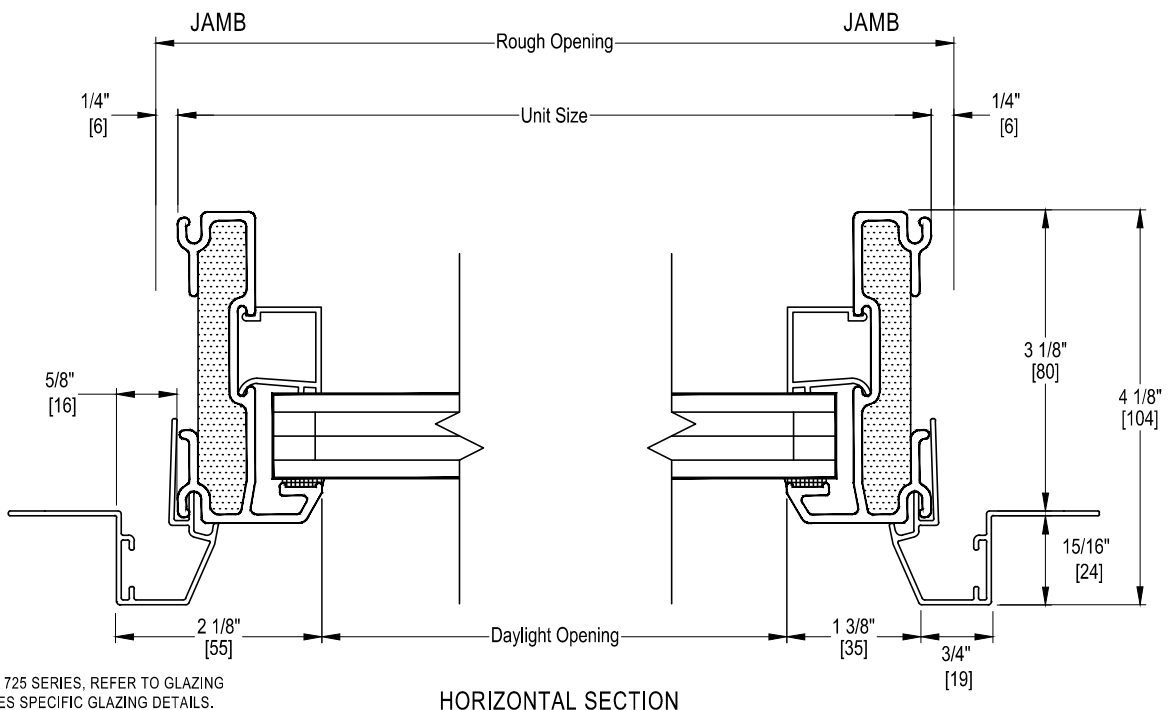
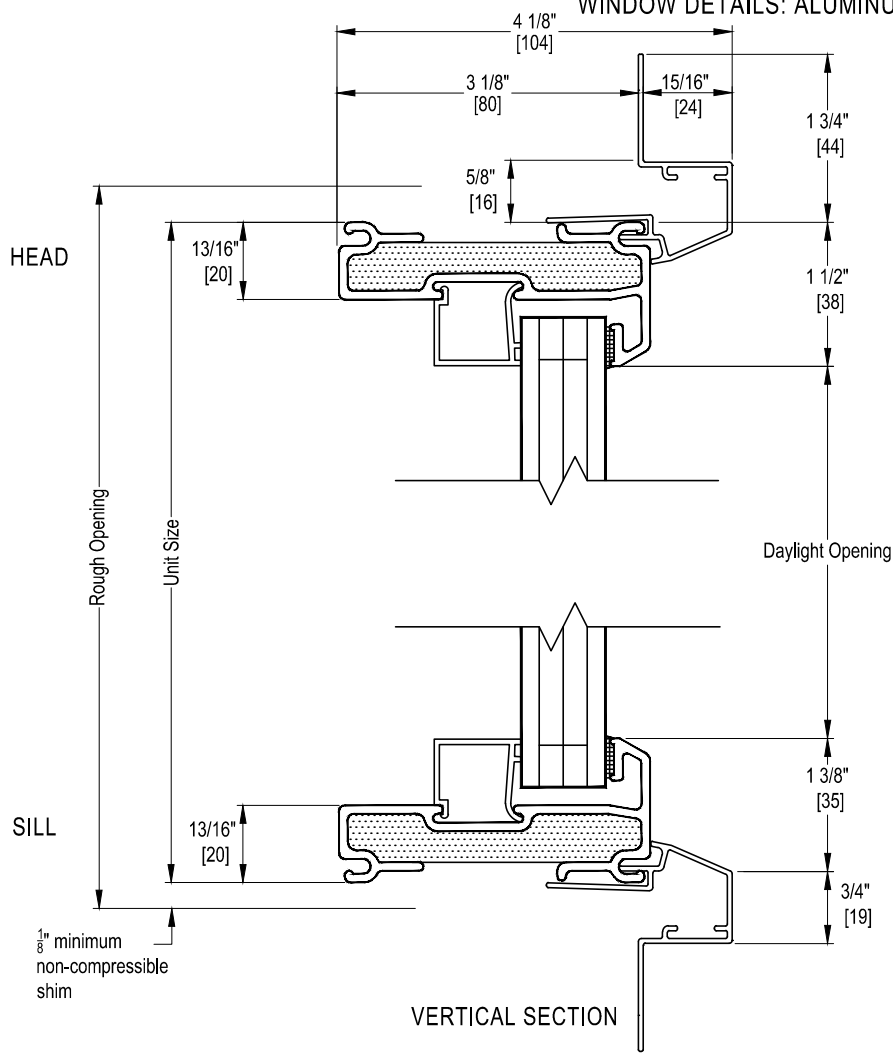
GLAZING SHOWN IS 725 SERIES, REFER TO GLAZING OPTIONS FOR SERIES SPECIFIC GLAZING DETAILS.

WINDOW DETAILS: FIELD APPLIED ANCHOR STRAPS



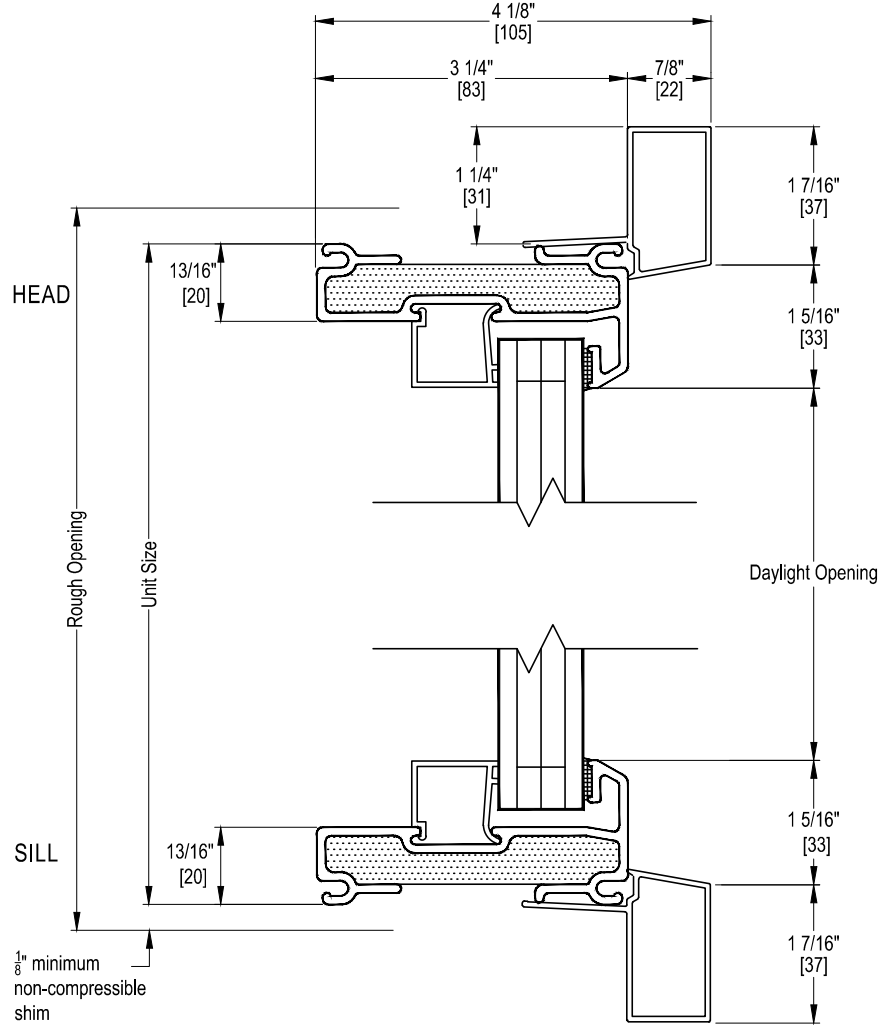
GLAZING SHOWN IS 725 SERIES, REFER TO GLAZING OPTIONS FOR SERIES SPECIFIC GLAZING DETAILS.

WINDOW DETAILS: ALUMINUM BRICKMOULD WITH FIN

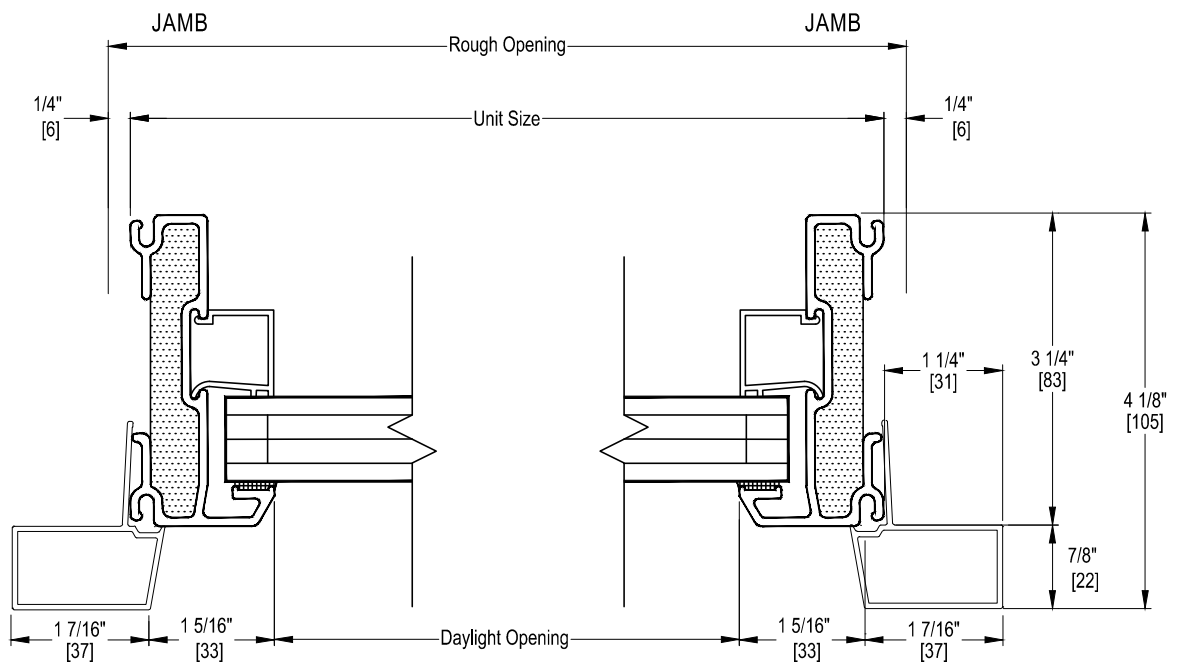


GLAZING SHOWN IS 725 SERIES, REFER TO GLAZING OPTIONS FOR SERIES SPECIFIC GLAZING DETAILS.

WINDOW DETAILS: ALUMINUM BRICKMOULD WITHOUT FIN



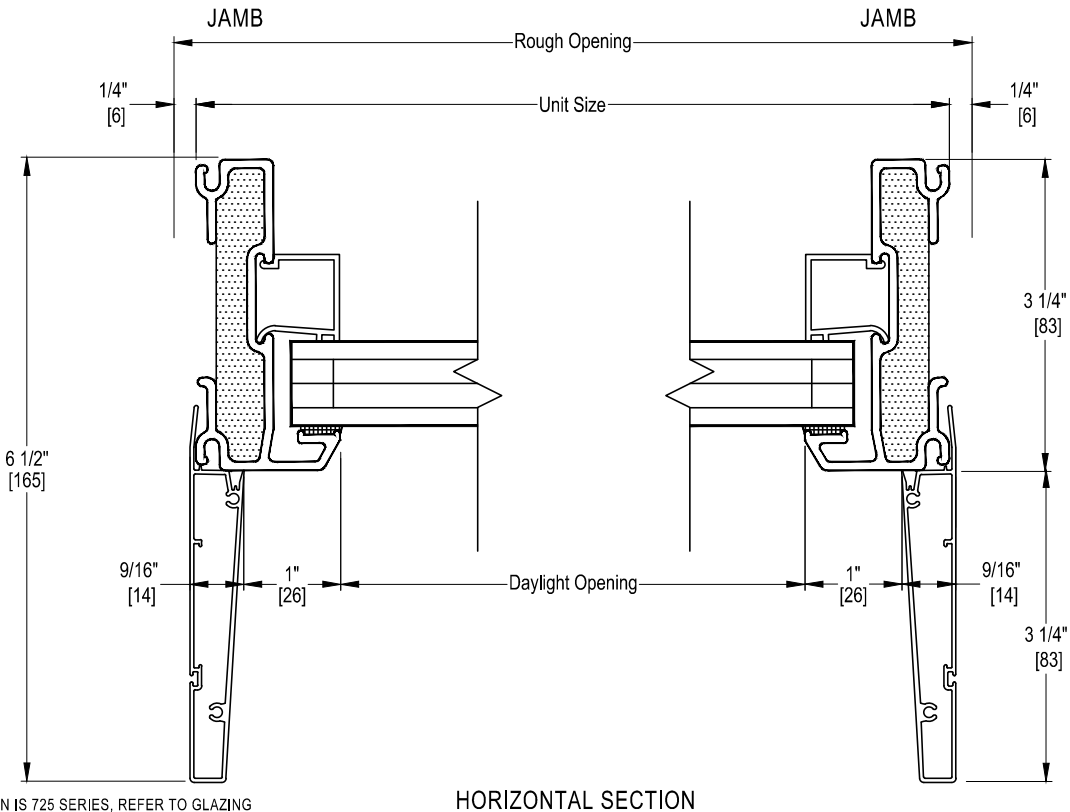
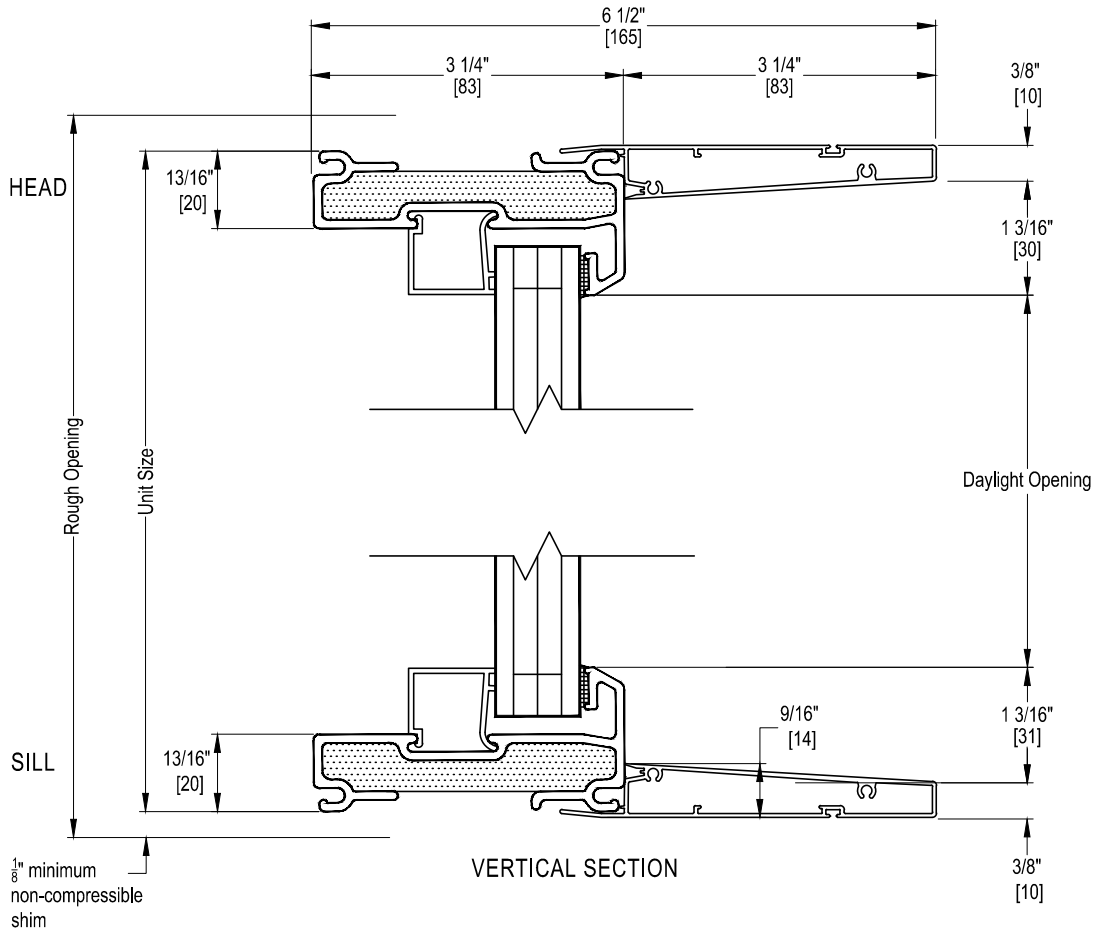
VERTICAL SECTION



HORIZONTAL SECTION

GLAZING SHOWN IS 725 SERIES, REFER TO GLAZING OPTIONS FOR SERIES SPECIFIC GLAZING DETAILS.

WINDOW DETAILS: 3 1/4" EXTERIOR FRAME EXTENDER



GLAZING SHOWN IS 725 SERIES, REFER TO GLAZING OPTIONS FOR SERIES SPECIFIC GLAZING DETAILS.